

# Swing Check Valve

Model 745

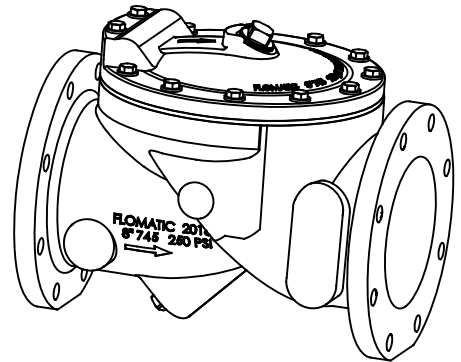
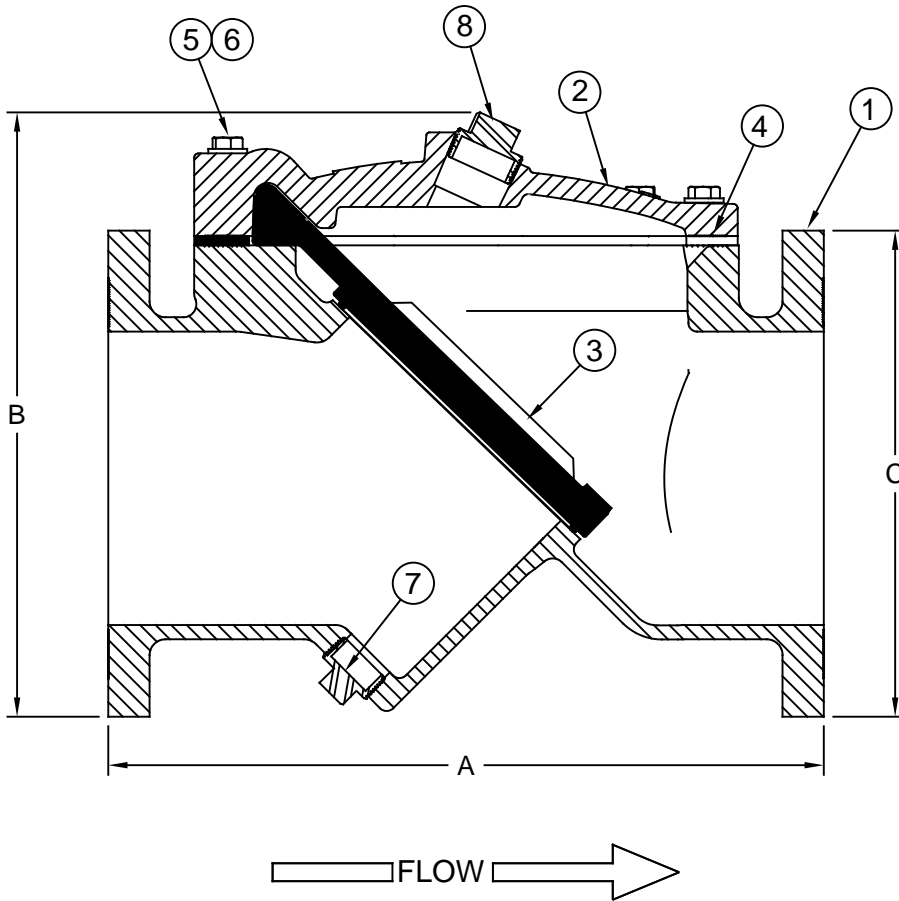


Flomatic Corporation

Sizes 6" thru 12" / 150mm thru 300mm  
AIS COMPLIANT



## Materials



Max Temp 140°F (60°C)  
Max Pressure 250psi (18bar)

Item #	Qty	Description	Material	ASTM	Item #	Qty	Description	Material	ASTM
1	1	Body (Epoxy Coated)	Ductile Iron	65-45-12	5	A/R	Cover Bolt	Stainless Steel	304
2	1	Cover (Epoxy Coated)	Ductile Iron	65-45-12	6	A/R	Washer	Stainless Steel	304
3	1	Disc	EPDM (w/ DI disc)	EP5360	7	1	Pipe Plug	Stainless Steel	304
4	1	Gasket	EPDM	-----	8	1	Pipe Plug	Stainless Steel	304

## Dimensions (150# ANSI B16.1 Flanges)

Size		Part #	A		B		C		Weight	
inch	mm		inch	mm	inch	mm	inch	mm	lbs	kg
6	150	3385	14	356	12-1/2	318	10-3/4	273	103	47
8	200	3386	19-1/2	495	16-1/2	419	13-1/4	337	216	98
10	250	3387	24-1/2	622	22-1/2	572	15-13/16	402	362	164
12	300	3388	27-1/2	699	22	559	18-5/8	473	550	250

Flomatic Corporation can accept no responsibility for possible errors in catalogues, brochures and other printed material. Flomatic Corporation reserves the right to alter its products without notices. This also applies to product already agreed. All trademarks in this material are property of the respective companies. All rights reserved. ©2020 Flomatic Corporation. The drawings & information on this drawing sheet are the sole & exclusive property of Flomatic Corporation. Any reproduction, distribution, display or use of these drawings or information in whole or in part without written authorization of Flomatic Corporation is strictly prohibited. www.flomatic.com



November 6, 2019  
Dwg No: S745 8-12USA Rev: B (8/20)

FLOMATIC CORPORATION  
GLENS FALLS, N.Y. 12801  
PHONE (518) 761-9797  
FAX (518) 761-9798