

Swing Check Valve

Model 92CSR

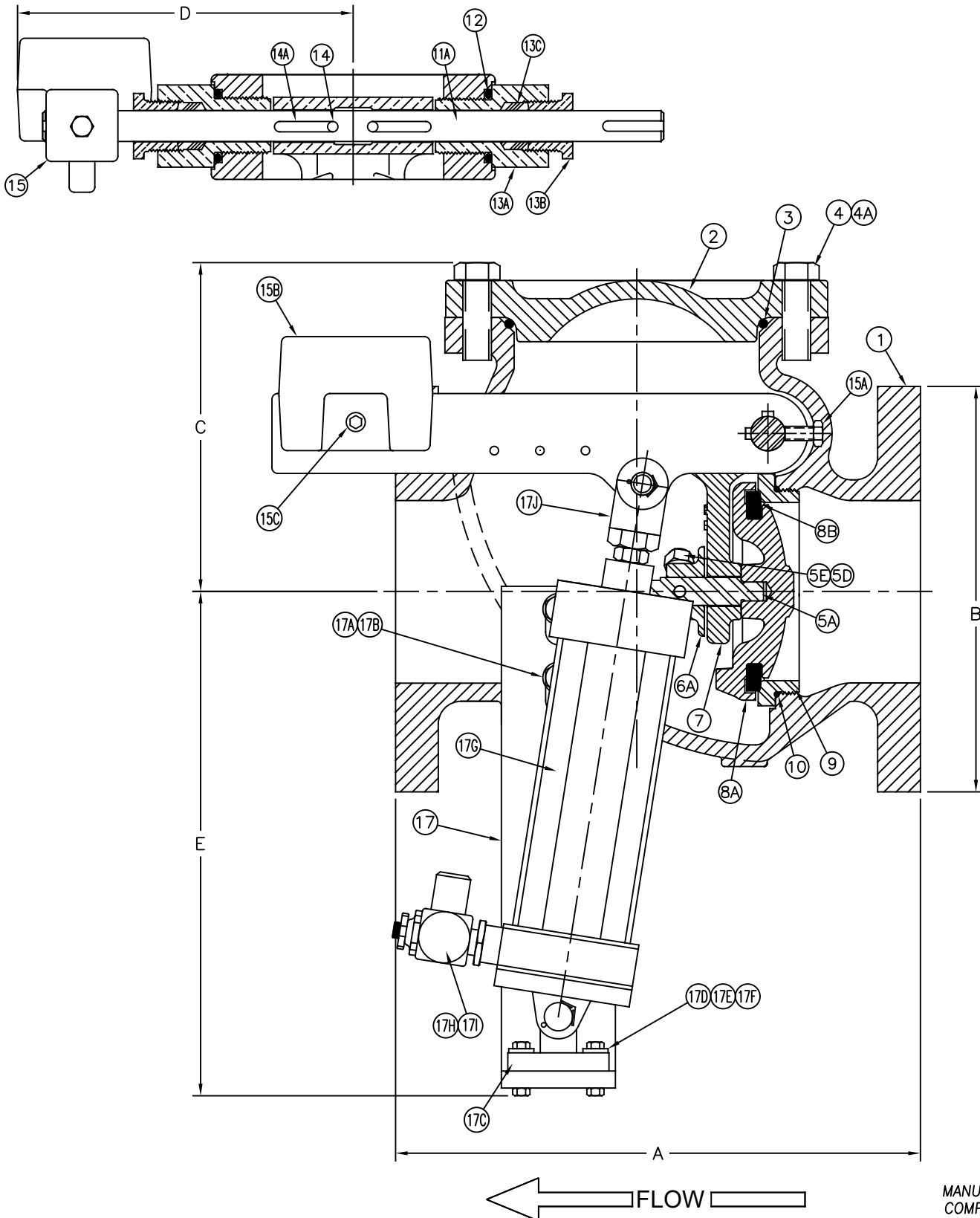


Flomatic Corporation

Sizes 4" / 100 mm
AIS COMPLIANT



Materials (Cushion Swing)



MANUFACTURED IN
COMPLIANCE WITH
AWWA C508 STANDARD

Flomatic Corporation can accept no responsibility for possible errors in catalogues, brochures and other printed material. Flomatic Corporation reserves the right to alter its products without notices. This also applies to product already agreed. All trademarks in this material are property of the respective companies. All rights reserved. ©2023 Flomatic Corporation. The drawings & information on this drawing sheet are the sole & exclusive property of Flomatic Corporation. Any reproduction, distribution, display or use of these drawings or information in whole or in part without written authorization of Flomatic Corporation is strictly prohibited. www.flomatic.com

Swing Check Valve

Model 92CSR



Sizes 4" / 100 mm

Flomatic Corporation

Materials (Cushion Swing)



Max Temp 180°F (82°C) Max
Pressure 250psi (18bar)

Item #	Qty	Description	Material	ASTM	Item #	Qty	Description	Material	ASTM
1	1	Body*	Ductile Iron	65-45-12	13C	8	Teflon Packing	Teflon	-----
2	1	Cover*	Cast Iron	A126	14	2	Set Screw	Stainless Steel	316
3	1	Cover O-Ring	Buna-N	N6000AA	14A	3	Key Stock	Stainless Steel	18-8
4	4	Cover Bolt	Stainless Steel	18-8	15	1	Lever Arm*	Ductile Iron	65-45-12
4A	4	Cover Washer	Stainless Steel	18-8	15A	1	Bolt	Stainless Steel	18-8
5A	1	Clapper Bolt	Stainless Steel	316	15B	1	Weight*	Cast Iron	A126
5D	1	Clapper Screw	Stainless Steel	316	15C	1	Set Screw	Stainless Steel	18-8
5E	1	Clapper Hex Nut	Stainless Steel	316 / Nylon	17	1	Bracket*	CRS	-----
6A	1	Clapper Nut	Stainless Steel	304	17A	2	Bolt	Plated	-----
7	1	Clapper Arm*	Ductile Iron	65-45-12	17B	2	Lock Washer	Plated	-----
8A	1	Clapper Disc Holder*	Ductile Iron	65-45-12	17C	1	Mounting Plate	Plated	-----
8B	1	Disc	Buna-N	-----	17D	4	Nut	Plated	-----
9	1	Seat Ring	Stainless Steel	304	17E	4	Bolt	Plated	-----
10	1	Seat Ring O'Ring	Buna-N	N6000AA	17F	4	Lock Washer	Plated	-----
11A	1	Clapper Support Shaft	Stainless Steel	17-4	17G	1	Cylinder	Misc	-----
12	2	Bearing O'Ring	Buna-N	N6000AA	17H	1	Bushing	Misc	-----
13A	2	Shaft Support Bearing	Bronze	B140	17I	1	Flow Control	Brass	-----
13B	2	Packing Nut	Bronze	B140	17J	1	Rod Clevis Assembly	Plated	-----

* Epoxy Coated

Dimensions (125# ANSI B16.1 Flanges)

MANUFACTURED IN COMPLIANCE WITH AWWA C508 STANDARD

Size		Part #	A		B		C		D		E		Weight	
inch	mm		inch	mm	inch	mm	inch	mm	inch	mm	inch	mm	lbs	kg
4	100	3707CSR	11-1/2	292	8-57/64	226	7-1/8	181	8-1/2	216	9-5/8	245	195	89

Flomatic Corporation can accept no responsibility for possible errors in catalogues, brochures and other printed material. Flomatic Corporation reserves the right to alter its products without notices. This also applies to product already agreed. All trademarks in this material are property of the respective companies. All rights reserved. ©2023 Flomatic Corporation. The drawings & information on this drawing sheet are the sole & exclusive property of Flomatic Corporation. Any reproduction, distribution, display or use of these drawings or information in whole or in part without written authorization of Flomatic Corporation is strictly prohibited. www.flomatic.com

