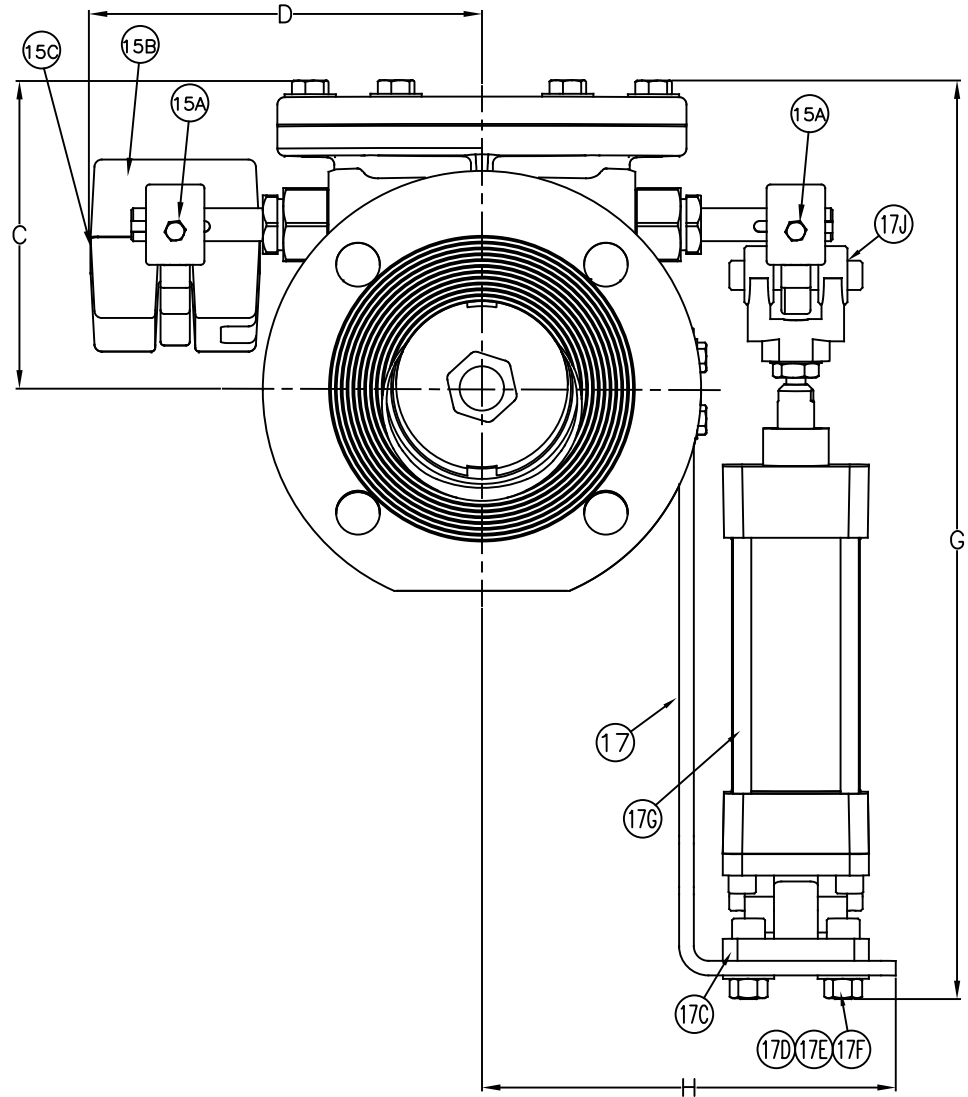
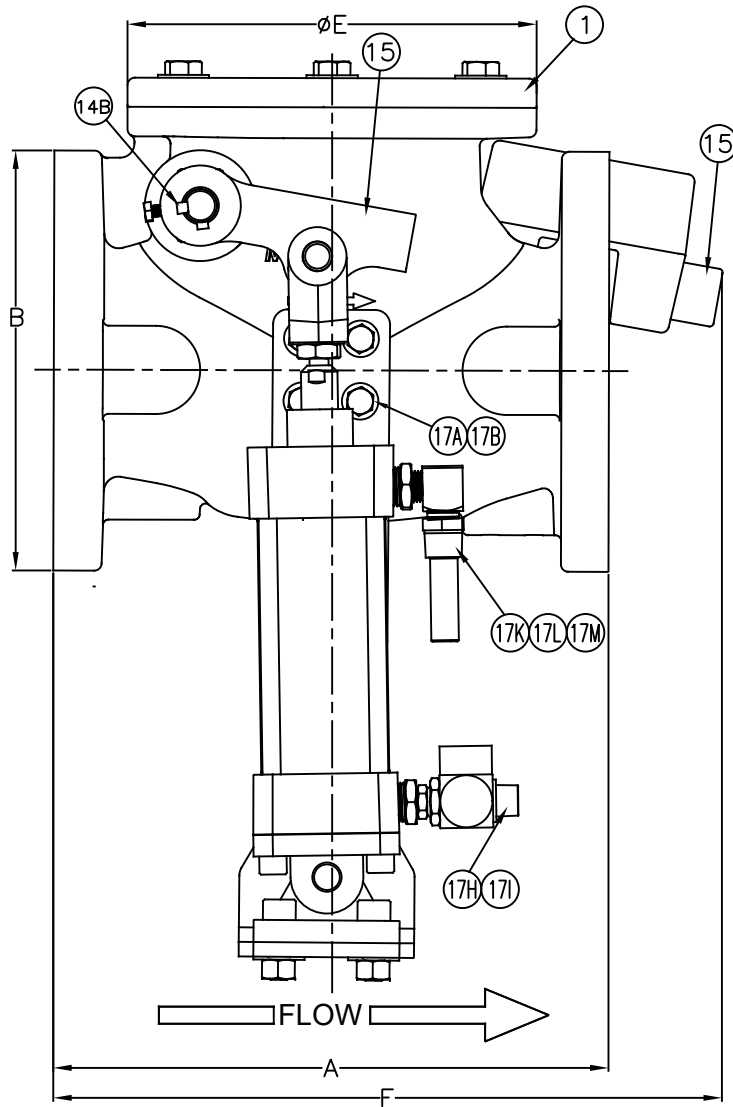


Swing Check Valves

Size 3" / 75 mm
 AIS COMPLIANT

Model 92CSR **FLOMATIC**[®]
 Flomatic Corporation



MANUFACTURED IN COMPLIANCE WITH AWWA C508 STANDARD

Flomatic Corporation can accept no responsibility for possible errors in catalogues, brochures and other printed material. Flomatic Corporation reserves the right to alter its products without notices. This also applies to product already agreed. All trademarks in this material are property of the respective companies. All rights reserved. ©2024 Flomatic Corporation. The drawings & information on this drawing sheet are the sole & exclusive property of Flomatic Corporation. Any reproduction, distribution, display or use of these drawings or information in whole or in part without written authorization of Flomatic Corporation is strictly prohibited. www.flomatic.com

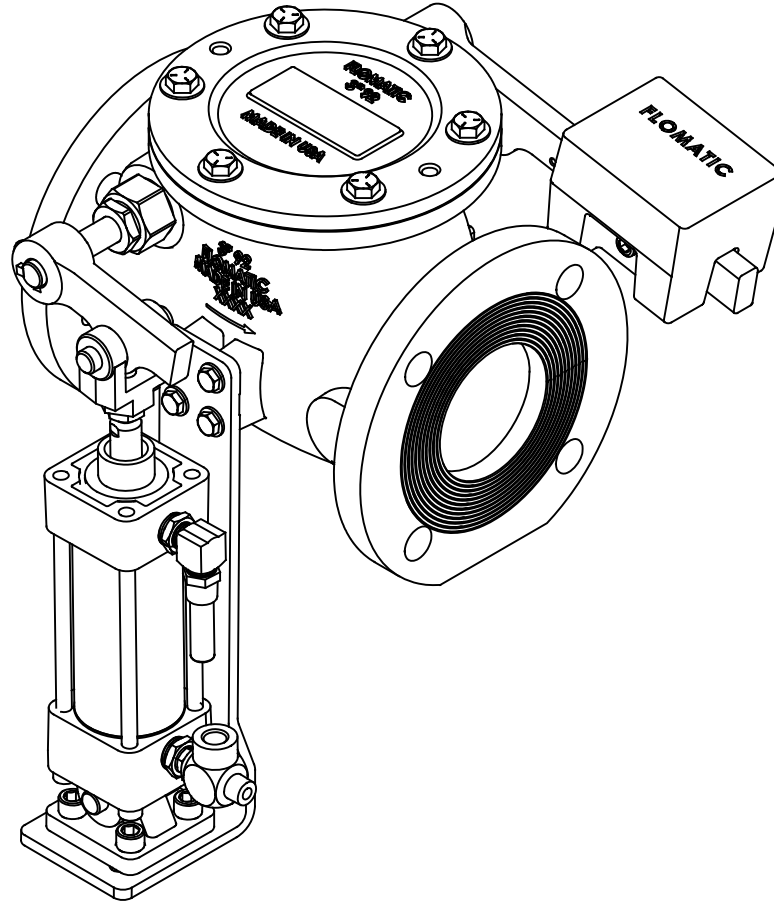


Swing Check Valve

Sizes 3" / 75 mm
 AIS COMPLIANT

Model 92CSR **FLOMATIC®**
 Flomatic Corporation

Materials



Max Temp 180°F (82°C) Max
 Pressure 250psi (18bar)

Item #	Qty	Description	Material	ASTM	Item #	Qty	Description	Material	ASTM
1	1	Body*	See spec sheet S3706L		17D	4	Nut	Zinc Plated	-----
14B	2	Key Stock	Stainless Steel	18-8	17E	4	Bolt	Zinc Plated	-----
15	2	Lever Arm*	Hot Rolled Steel	-----	17F	4	Washer	Zinc Plated	-----
15A	2	Bolt	Stainless Steel	18-8	17G	1	Cylinder	See Spec Sheet S90CSCYL	
15B	1	Weight	Steel	-----	17H	2	Bushing	Brass	Lead Free
15C	1	SHSS	Stainless Steel	18-8	17I	1	Flow Control	Bronze	Lead Free
17	1	Bracket*	Hot Rolled Steel	-----	17J	1	Rod Clevis Assembly	Carbon Steel	-----
17A	4	Bolt	Stainless Steel	18-8	17K	1	Bushing	Bronze	Lead Free
17B	4	Washer	Stainless Steel	18-8	17L	1	Street Elbow	Bronze	Lead Free
17C	1	Mounting Plate	Carbon Steel	-----	17M	1	Finger Stainer	Bronze	Lead Free

* Epoxy Coated

Dimensions (150# ANSI B16.42 Flanges)

MANUFACTURED IN COMPLIANCE WITH AWWA C508 STANDARD

Size		Part #	A		B		C		D		ØE		F		G		H		Weight	
inch	mm		inch	mm	inch	mm	inch	mm	inch	mm	inch	mm	inch	mm	inch	mm	inch	mm	lbs	kg
3	75	3706CS	9-1/2	241	8-23/32	222	5-1/8	130	6-37/64	167	7	178	11-3/8	289	15-3/4	400	7-3/32	180	59	27

Flomatic Corporation can accept no responsibility for possible errors in catalogues, brochures and other printed material. Flomatic Corporation reserves the right to alter its products without notices. This also applies to product already agreed. All trademarks in this material are property of the respective companies. All rights reserved. ©2024 Flomatic Corporation. The drawings & information on this drawing sheet are the sole & exclusive property of Flomatic Corporation. Any reproduction, distribution, display or use of these drawings or information in whole or in part without written authorization of Flomatic Corporation is strictly prohibited. www.flomatic.com