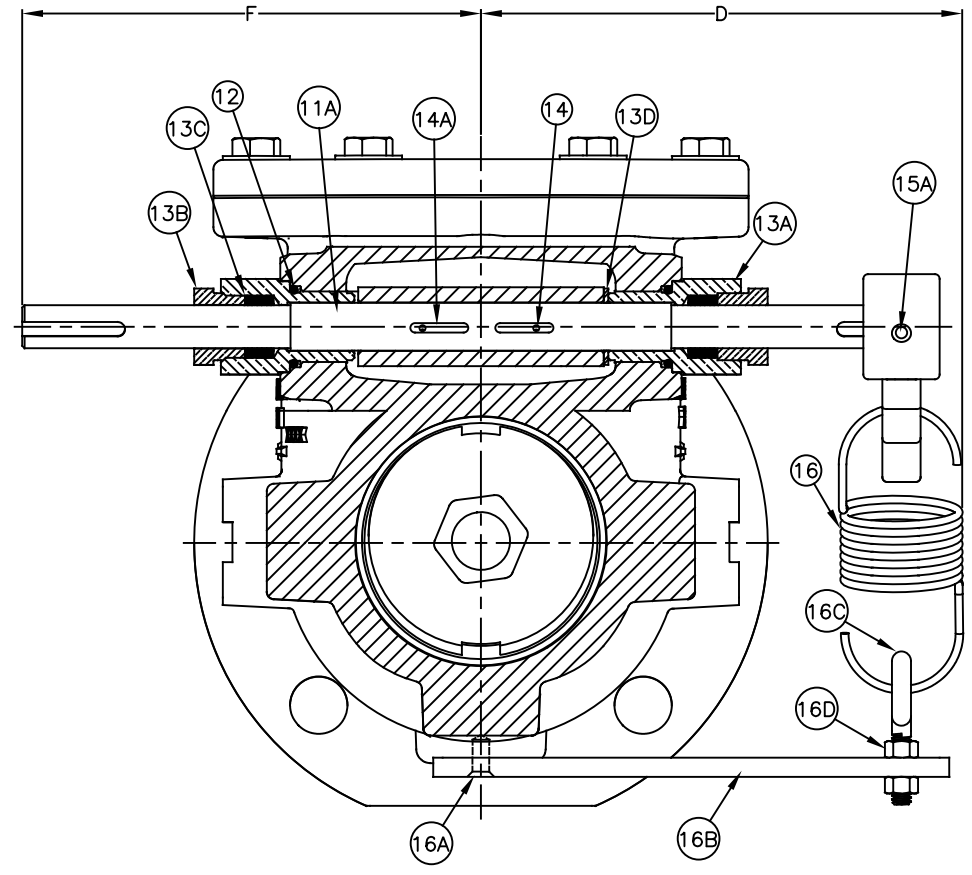
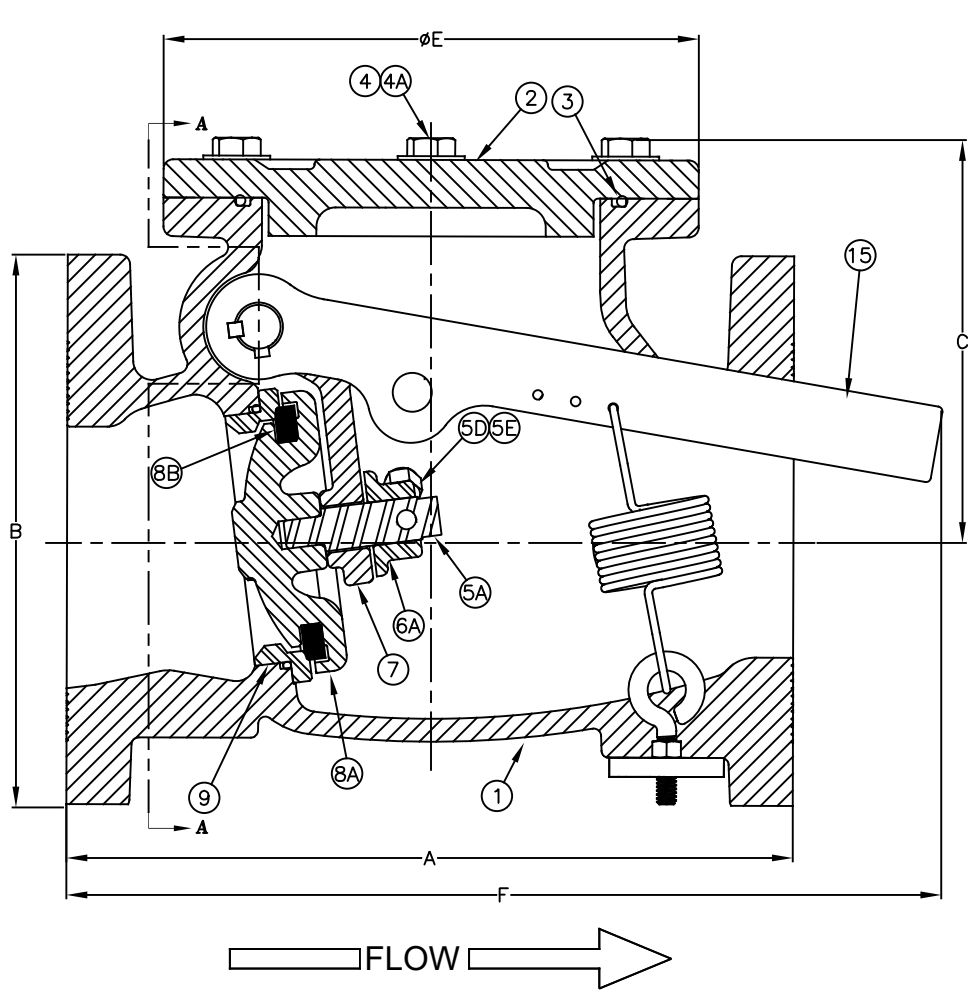


Swing Check Valves

Size 3" / 75 mm
 AIS COMPLIANT

Model 92LSR **FLOMATIC**[®]
 Flomatic Corporation



MANUFACTURED IN COMPLIANCE WITH AWWA C508 STANDARD

Flomatic Corporation can accept no responsibility for possible errors in catalogues, brochures and other printed material. Flomatic Corporation reserves the right to alter its products without notices. This also applies to product already agreed. All trademarks in this material are property of the respective companies. All rights reserved. ©2023 Flomatic Corporation. The drawings & information on this drawing sheet are the sole & exclusive property of Flomatic Corporation. Any reproduction, distribution, display or use of these drawings or information in whole or in part without written authorization of Flomatic Corporation is strictly prohibited. www.flomatic.com

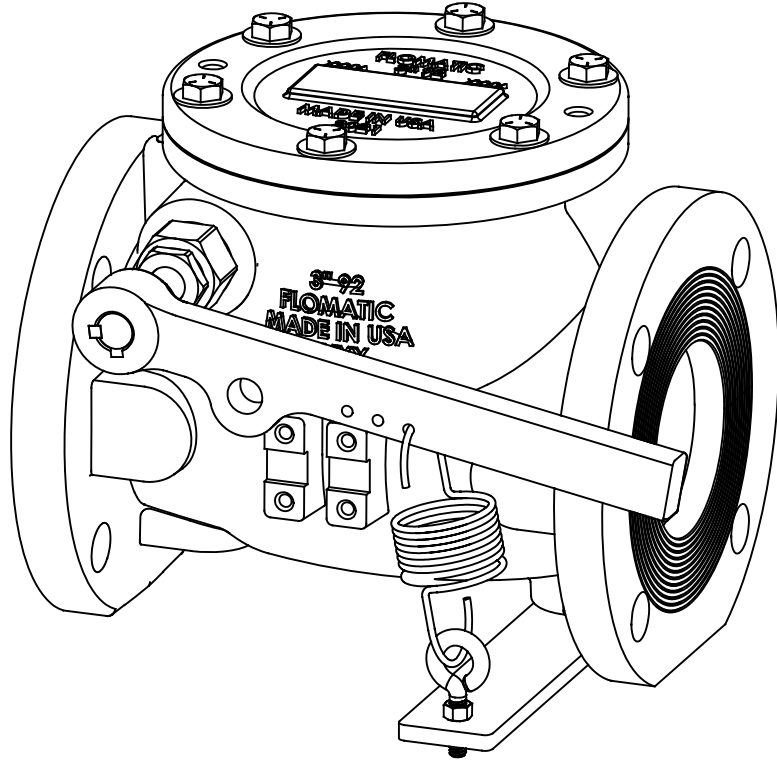
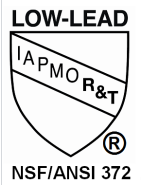
Swing Check Valve

Sizes 3" / 75 mm
AIS COMPLIANT

Model 92LSR

FLOMATIC®
Flomatic Corporation

Materials



Max Temp 180°F (82°C) Max
Pressure 250psi (18bar)

Item #	Qty	Description	Material	ASTM	Item #	Qty	Description	Material	ASTM
1	1	Body*	Ductile Iron	65-45-12	11	1	Clapper Support Shaft	Stainless Steel	17-4
2	1	Cover*	Ductile Iron	65-45-12	12	2	Bearing O'Ring	Buna-N	N6000AA
3	1	O'Ring (Cover)	Buna-N	N6000AA	13A	2	Shaft Support Bearing	Bronze	B140
4	6	Cover Bolt	Stainless Steel	18-8	13B	2	Packing Nut	Bronze	B140
4A	6	Cover Washer	Stainless Steel	18-8	13C	6	Teflon Packing	Teflon	-----
5A	1	Clapper Bolt	Stainless Steel	316	13D	2	Shaft Washer	Stainless Steel	316
5D	1	Clapper Shoulder Screw	Stainless Steel	316	14	2	Screw	Stainless Steel	316
5E	1	Clapper Hex Nut	Stainless Steel	316 / Nylon	14A	3	Key Stock	Stainless Steel	18-8
6A	1	Clapper Nut	Stainless Steel	304	15	1	Lever Arm*	Ductile Iron	65-45-12
7	1	Clapper Arm*	Ductile Iron	65-45-12	16	1	Spring	Stainless Steel	316
8A	1	Clapper Disc Holder*	Ductile Iron	65-45-12	16A	1	Spring Mounting Bracket*	CRS	-----
8B	1	Disc	Buna-N	-----	16B	2	Bolt	Zinc Plated	-----
9	1	Seat Ring	Stainless Steel	304	16C	1	Eyebolt	Zinc Plated	-----
10	1	Seat Ring O'Ring	Buna-N	N6000AA	16D	2	Screw	Zinc Plated	-----

* Epoxy Coated

Dimensions (150# ANSI B16.42 Flanges)

MANUFACTURED IN COMPLIANCE WITH AWWA C508 STANDARD

Size		Part #	A		B		C		D		ØE		F		G		Weight	
inch	mm		inch	mm	inch	mm	inch	mm	inch	mm	inch	mm	inch	mm	inch	mm	lbs	kg
3	75	3706LS	9-1/2	241	8-23/32	222	5-1/8	130	6-5/16	160	7	178	11-3/8	289	6	152	45	21

Flomatic Corporation can accept no responsibility for possible errors in catalogues, brochures and other printed material. Flomatic Corporation reserves the right to alter its products without notices. This also applies to product already agreed. All trademarks in this material are property of the respective companies. All rights reserved. ©2023 Flomatic Corporation. The drawings & information on this drawing sheet are the sole & exclusive property of Flomatic Corporation. Any reproduction, distribution, display or use of these drawings or information in whole or in part without written authorization of Flomatic Corporation is strictly prohibited. www.flomatic.com