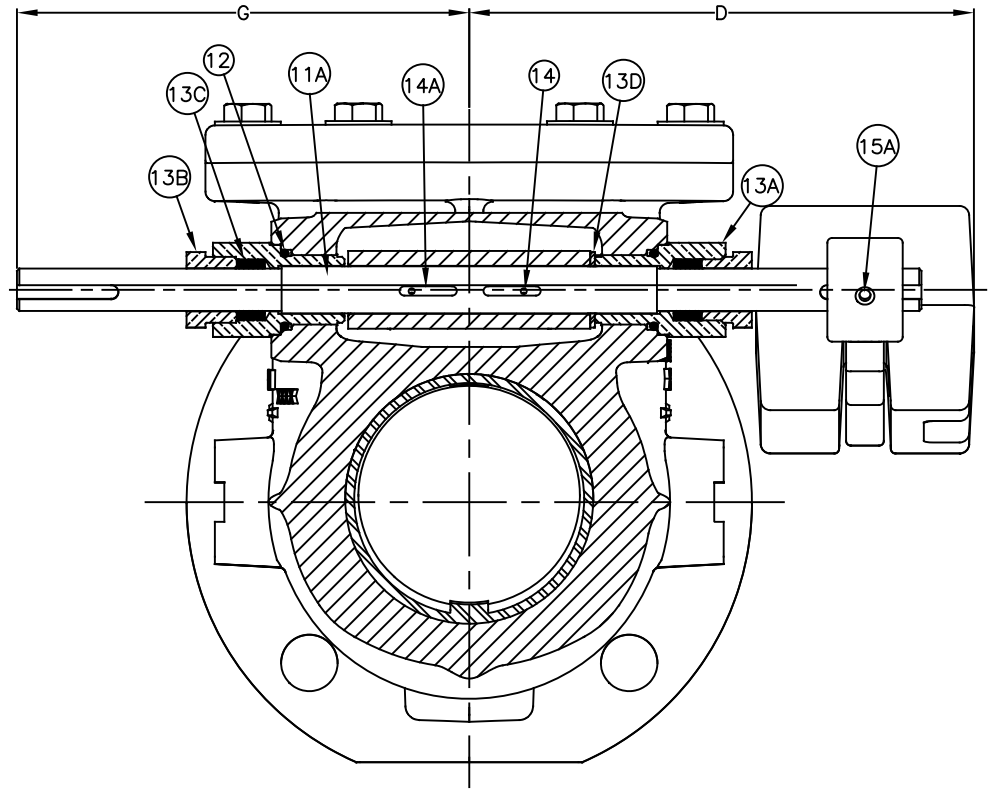
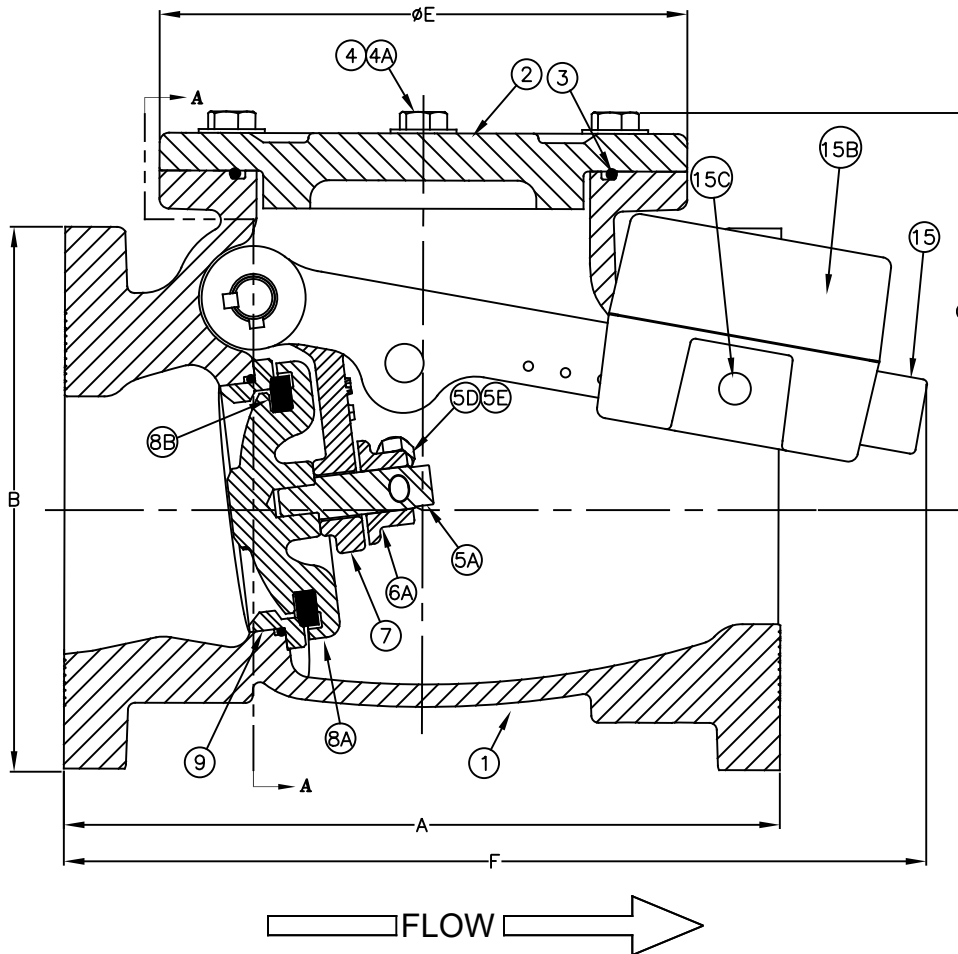


# Swing Check Valves

Size 3" / 75 mm  
 AIS COMPLIANT

Model 92LWR **FLOMATIC**<sup>®</sup>  
 Flomatic Corporation



MANUFACTURED IN COMPLIANCE WITH AWWA C508 STANDARD

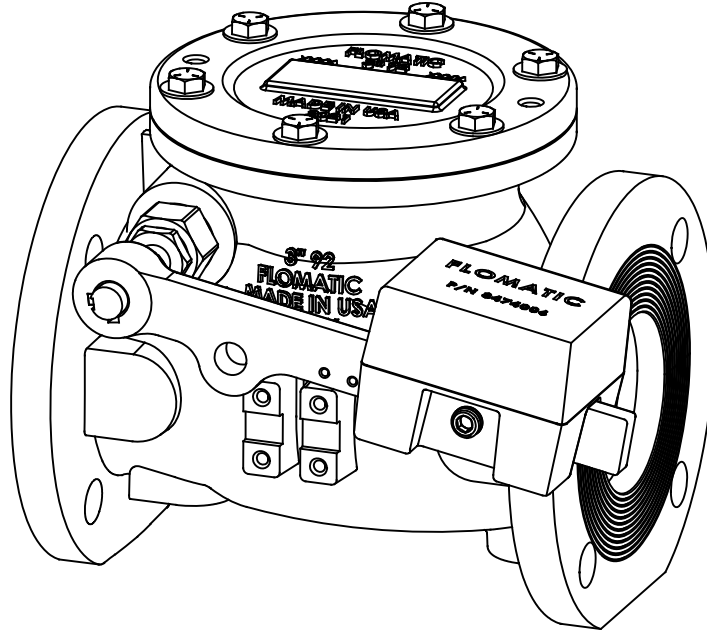
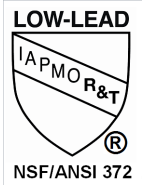
Flomatic Corporation can accept no responsibility for possible errors in catalogues, brochures and other printed material. Flomatic Corporation reserves the right to alter its products without notices. This also applies to product already agreed. All trademarks in this material are property of the respective companies. All rights reserved. ©2023 Flomatic Corporation. The drawings & information on this drawing sheet are the sole & exclusive property of Flomatic Corporation. Any reproduction, distribution, display or use of these drawings or information in whole or in part without written authorization of Flomatic Corporation is strictly prohibited. [www.flomatic.com](http://www.flomatic.com)

# Swing Check Valve

Sizes 3" / 75 mm  
AIS COMPLIANT

Model 92LWR **FLOMATIC**<sup>®</sup>  
Flomatic Corporation

## Materials



Max Temp 180°F (82°C) Max  
Pressure 250psi (18bar)

Item #	Qty	Description	Material	ASTM	Item #	Qty	Description	Material	ASTM
1	1	Body*	Ductile Iron	65-45-12	10	1	Seat Ring O'Ring	Buna-N	N6000AA
2	1	Cover*	Ductile Iron	65-45-12	11	1	Clapper Support Shaft	Stainless Steel	17-4
3	1	O'Ring (Cover)	Buna-N	N6000AA	12	2	Bearing O'Ring	Buna-N	N6000AA
4	6	Cover Bolt	Stainless Steel	18-8	13A	2	Shaft Support Bearing	Bronze	B140
4A	6	Cover Washer	Stainless Steel	18-8	13B	2	Packing Nut	Bronze	B140
5A	1	Clapper Bolt	Stainless Steel	316	13C	6	Teflon Packing	Teflon	-----
5D	1	Clapper Sholder Screw	Stainless Steel	316	13D	2	Shaft Washer	Stainless Steel	316
5E	1	Clapper Hex Nut	Stainless Steel	316 / Nylon	14	2	Screw	Stainless Steel	316
6A	1	Clapper Nut	Stainless Steel	304	14A	3	Key Stock	Stainless Steel	18-8
7	1	Clapper Arm*	Ductile Iron	65-45-12	15	1	Lever Arm*	Ductile Iron	65-45-12
8A	1	Clapper Disc Holder*	Ductile Iron	65-45-12	15A	1	Screw	Stainless Steel	18-8
8B	1	Disc	Buna-N	-----	15B	1	Weight*	Ductile Iron	65-45-12
9	1	Seat Ring	Stainless Steel	304	15B	1	Screw	Stainless Steel	18-8

\* Epoxy Coated

## Dimensions (150# ANSI B16.42 Flanges)

MANUFACTURED IN COMPLIANCE WITH AWWA C508 STANDARD

Size		Part #	A		B		C		D		ØE		F		G		Weight	
inch	mm		inch	mm	inch	mm	inch	mm	inch	mm	inch	mm	inch	mm	inch	mm	lbs	kg
3	75	3706LW	9-1/2	241	8-23/32	222	5-1/8	130	6-37/64	167	7	178	11-3/8	289	6	152	51	23

Flomatic Corporation can accept no responsibility for possible errors in catalogues, brochures and other printed material. Flomatic Corporation reserves the right to alter its products without notices. This also applies to product already agreed. All trademarks in this material are property of the respective companies. All rights reserved. ©2023 Flomatic Corporation. The drawings & information on this drawing sheet are the sole & exclusive property of Flomatic Corporation. Any reproduction, distribution, display or use of these drawings or information in whole or in part without written authorization of Flomatic Corporation is strictly prohibited. [www.flomatic.com](http://www.flomatic.com)