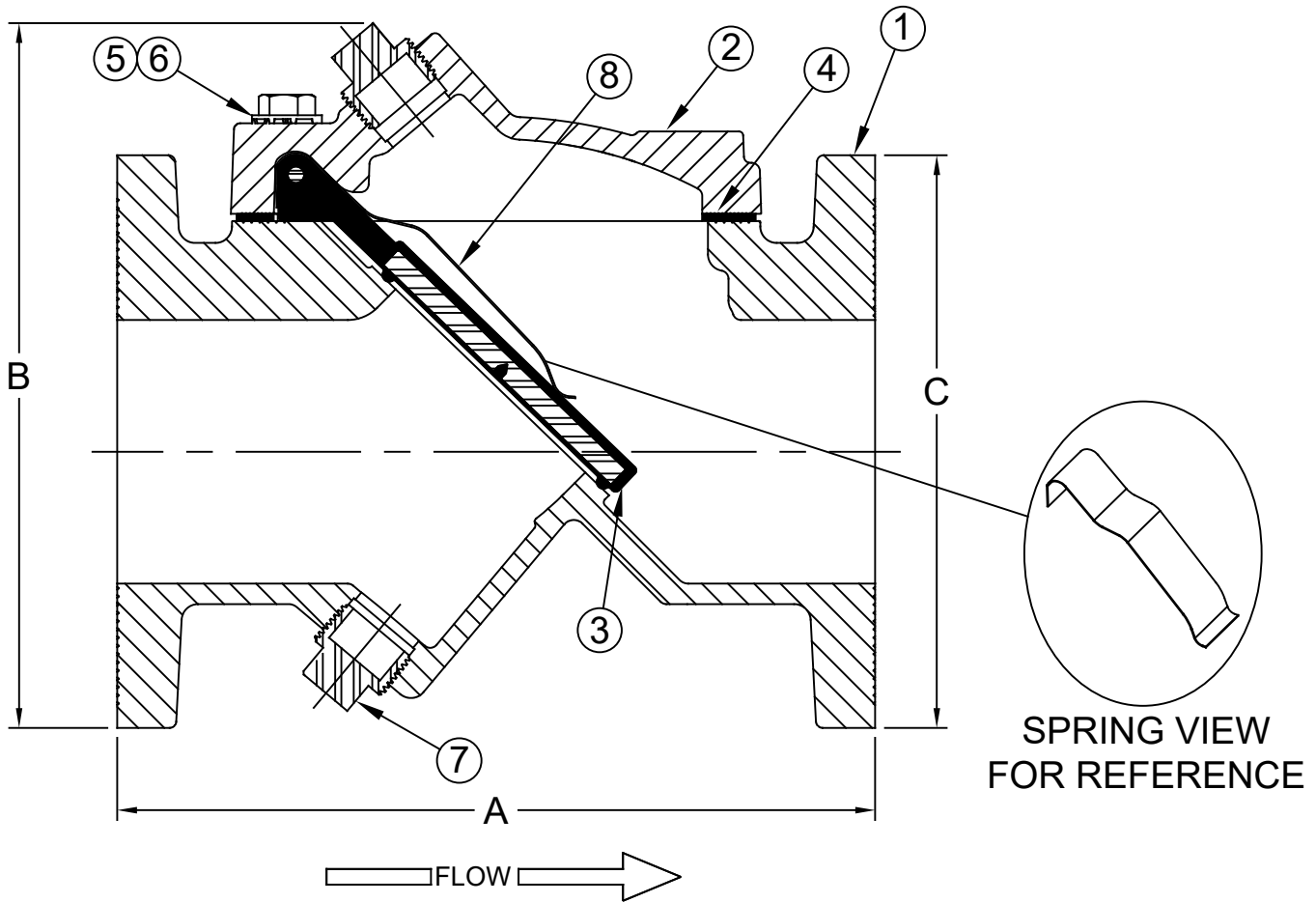


Sizes 3" thru 6" / 75mm thru 150mm

Spring Closure (SC)

Materials



Max Temp 140°F (60°C)
Max Pressure 250psi (18bar)

Item #	Qty	Description	Material	ASTM	Item #	Qty	Description	Material	ASTM
1	1	Body (Epoxy Coated)	Ductile Iron	A536 65-45-12	5	A/R	Bolt	Stainless Steel	304
2	1	Cover (Epoxy Coated)	Ductile Iron	A536 65-45-12	6	A/R	Washer	Stainless Steel	304
3	1	Flapper	Buna/Steel	-----	7	2	Pipe Plug	Stainless Steel	304
4	1	Gasket	Buna	-----	8	1	Spring	Stainless Steel	17-7 ph

A/R = Amount Required

Patent # 9,879,791

Dimensions (150# ANSI B16.42 Flanges)

Size		Part #	A		B		C		Weight	
inch	mm		inch	mm	inch	mm	inch	mm	lbs	kg
3	75	3382SC	9.50	241	9.15	232	7.25	184	42	19
4	100	3383SC	11.50	292	10.69	272	8.69	221	60	27
6	150	3385SC	14	356	13	330	10.75	273	103	47

Flomatic Corporation can accept no responsibility for possible errors in catalogues, brochures and other printed material. Flomatic Corporation reserves the right to alter its products without notices. This also applies to product already agreed. All trademarks in this material are property of the respective companies. All rights reserved. ©2024 Flomatic Corporation. The drawings & information on this drawing sheet are the sole & exclusive property of Flomatic Corporation. Any reproduction, distribution, display or use of these drawings or information in whole or in part without written authorization of Flomatic Corporation is strictly prohibited. www.flomatic.com