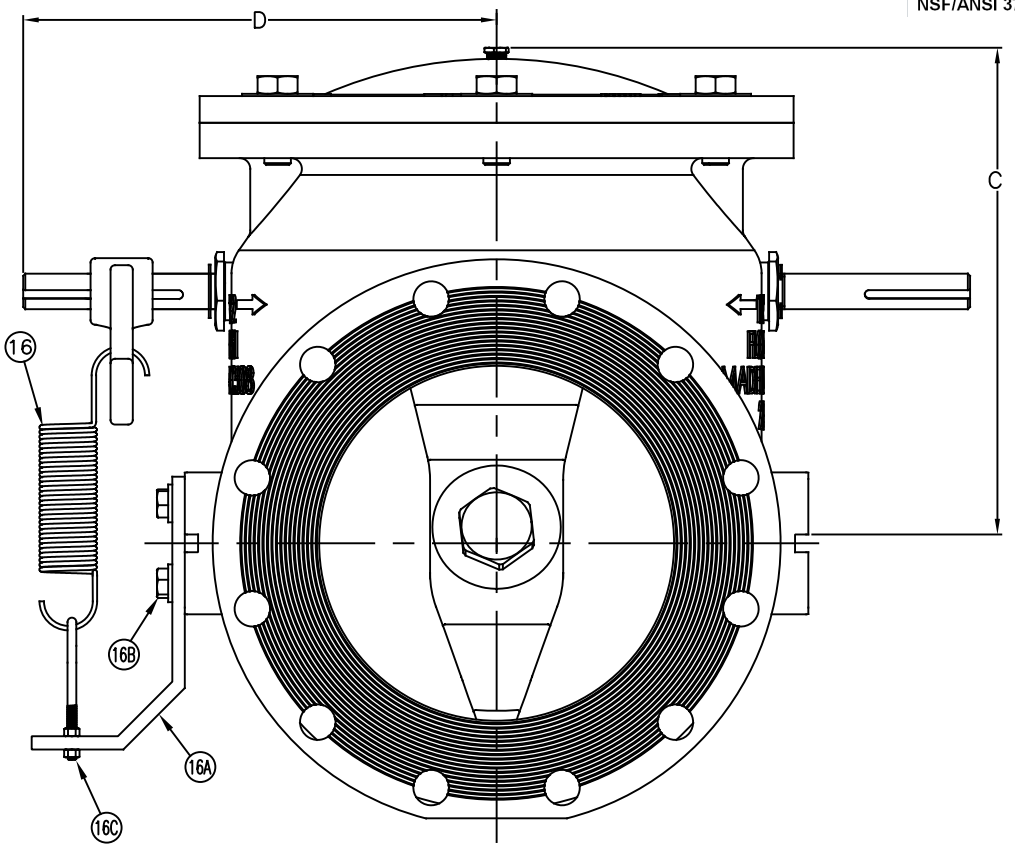
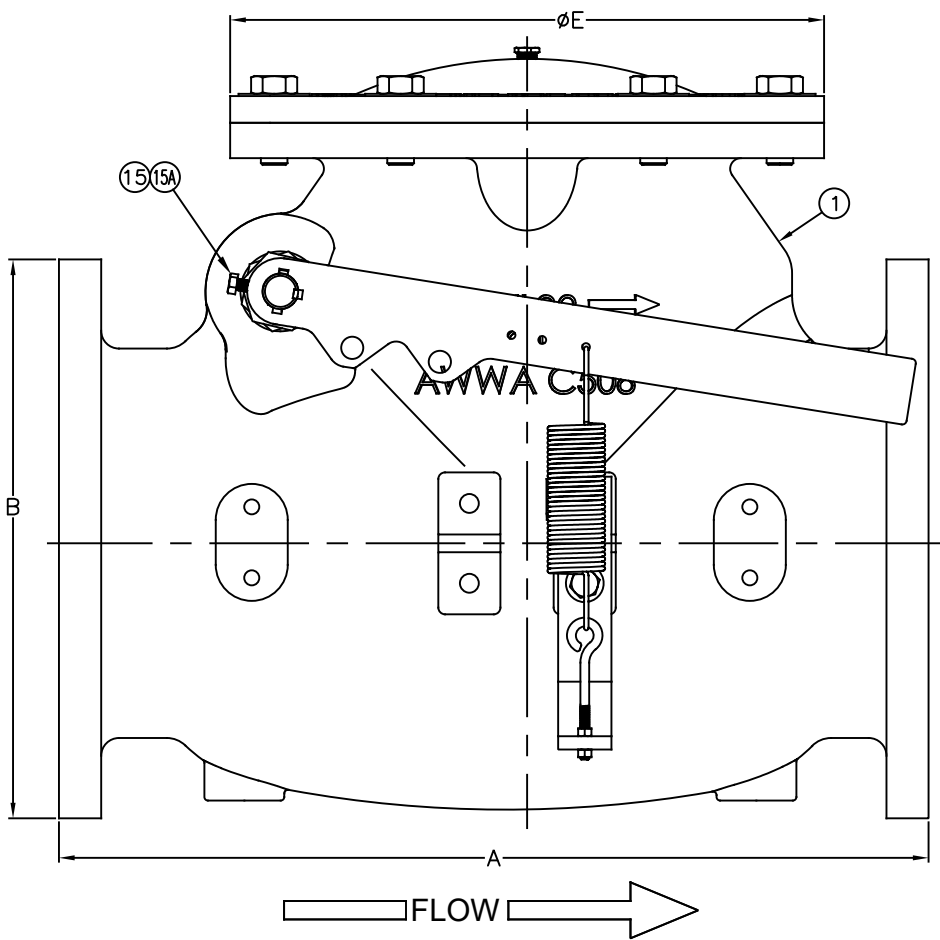


# Swing Check Valves

Size 10" / 250 mm  
 AIS COMPLIANT

Model 92LS **FLOMATIC®**  
 Flomatic Corporation



MANUFACTURED IN  
 COMPLIANCE WITH  
 AWWA C508 STANDARD

Flomatic Corporation can accept no responsibility for possible errors in catalogues, brochures and other printed material. Flomatic Corporation reserves the right to alter its products without notices. This also applies to product already agreed. All trademarks in this material are property of the respective companies. All rights reserved. ©2024 Flomatic Corporation. The drawings & information on this drawing sheet are the sole & exclusive property of Flomatic Corporation. Any reproduction, distribution, display or use of these drawings or information in whole or in part without written authorization of Flomatic Corporation is strictly prohibited. www.flomatic.com



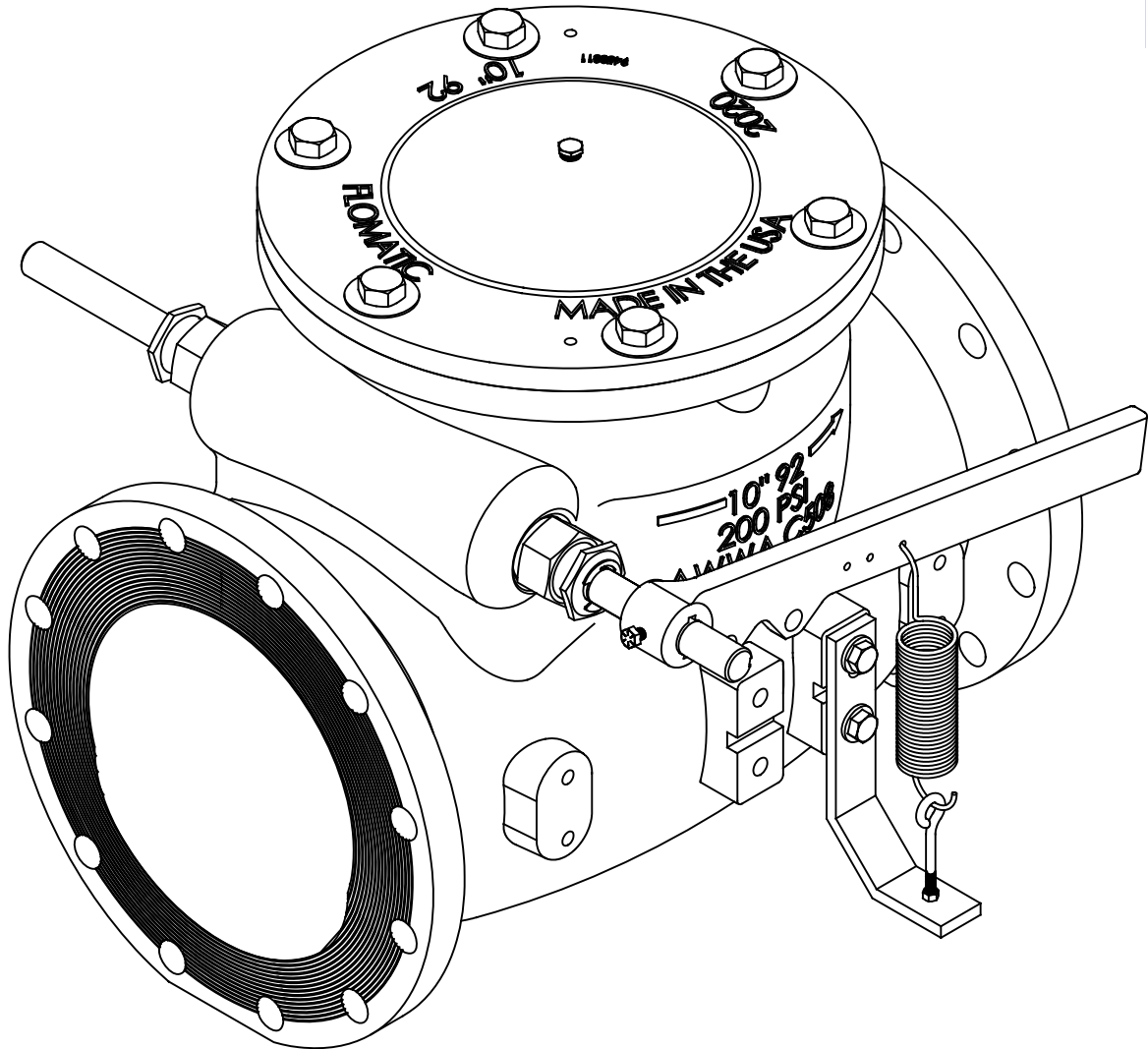
# Swing Check Valve

Sizes 10" / 250 mm  
 AIS COMPLIANT

Model 92LS **FLOMATIC®**

Flomatic Corporation

## Materials (Lever & Spring)



Max Temp 180°F (82°C) Max  
 Pressure 250psi (18bar)

Item #	Qty	Description	Material	ASTM	Item #	Qty	Description	Material	ASTM
1	1	Body*	See spec sheet S3711L		16A	1	Spring Bracket*	Steel	-----
15	1	Lever Arm*	Hot Rolled Steel	-----	16B	1	Bolts / Washers	Zinc Plated	-----
15A	1	Bolt	Stainless Steel	18-8	16C	1	Eyebolt / Nut	Zinc Plated	-----
16	1	Spring	Stainless Steel	316	* Epoxy Coated				

## Dimensions (150# ANSI B16.42 Flanges)

MANUFACTURED IN COMPLIANCE WITH AWWA C508 STANDARD

Size		Part #	A		B		C		D		ØE		Weight	
inch	mm		inch	mm	inch	mm	inch	mm	inch	mm	inch	mm	lbs	kg
10	250	3711LS	24.50	623	15.75	400	14	356	13.34	339	16.75	425	395	179

Flomatic Corporation can accept no responsibility for possible errors in catalogues, brochures and other printed material. Flomatic Corporation reserves the right to alter its products without notices. This also applies to product already agreed. All trademarks in this material are property of the respective companies. All rights reserved. ©2024 Flomatic Corporation. The drawings & information on this drawing sheet are the sole & exclusive property of Flomatic Corporation. Any reproduction, distribution, display or use of these drawings or information in whole or in part without written authorization of Flomatic Corporation is strictly prohibited. www.flomatic.com