

Ball Check Valve

Sizes 1" Thru 2" / 25 mm thru 50 mm

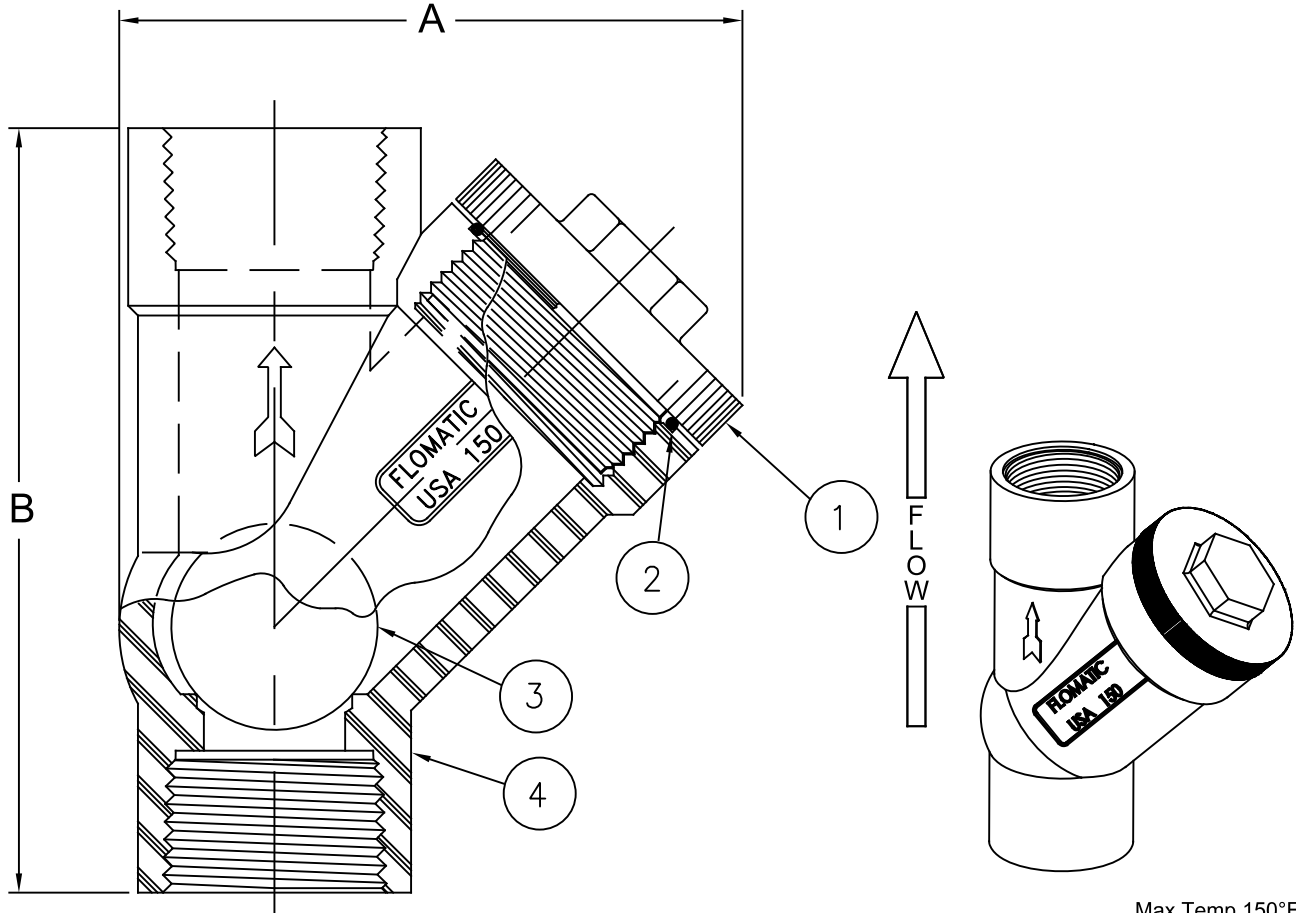
Model 208T

FLOMATIC®
Flomatic Corporation



Materials

NOTE: PLASTIC VALVES SHOULD NOT BE BURIED UNDERGROUND



Max Temp 150°F (65°C)
Max Inlet Pressure 100 psi (7 bar)

| Item # | Qty | Description | Material |
|--------|-----|----------------------|----------|
| 1 | 1 | Cap | PVC |
| 2 | 1 | O-Ring | Buna-N |
| 3 | 1 | Ball (Sinking) | Buna-N |
| 4 | 1 | Body | PVC |
| 5 | 2 | Bushing (not shown)* | PVC |

Dimensions (FNPT X FNPT)

ANSI B1.20.1

| Size | | Part # | A | | B | | Weight | |
|--------|----|---------|---------|-----|---------|-----|--------|-----|
| inch | mm | | inch | mm | inch | mm | lbs | kg |
| 1* | 25 | 2131-T* | 4-1/2 | 114 | 6-27/32 | 174 | 1 | .45 |
| 1-1/4 | 32 | 2132-T | 4-1/2 | 114 | 5-21/32 | 144 | 1 | .45 |
| 1-1/2* | 40 | 2133-T* | 6-11/32 | 161 | 8-13/64 | 208 | 2 | .91 |
| 2 | 50 | 2134-T | 6-11/32 | 161 | 7-1/16 | 179 | 2 | .91 |

*Uses bushing not shown

Flomatic Corporation can accept no responsibility for possible errors in catalogues, brochures and other printed material. Flomatic Corporation reserves the right to alter its products without notices. This also applies to product already agreed. All trademarks in this material are property of the respective companies. All rights reserved. ©2021 Flomatic Corporation. The drawings & information on this drawing sheet are the sole & exclusive property of Flomatic Corporation. Any reproduction, distribution, display or use of these drawings or information in whole or in part without written authorization of Flomatic Corporation is strictly prohibited. www.flomatic.com

FLOMATIC® VALVES

November 1, 1991
Dwg No: S2131-34 Rev: M (2/21)

FLOMATIC CORPORATION
GLENS FALLS, N.Y. 12801
PHONE (518) 761-9797
FAX (518) 761-9798

Ball Check Valve

Model 208S



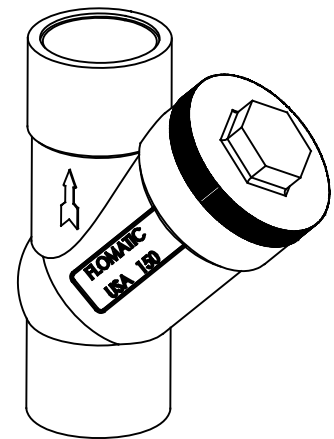
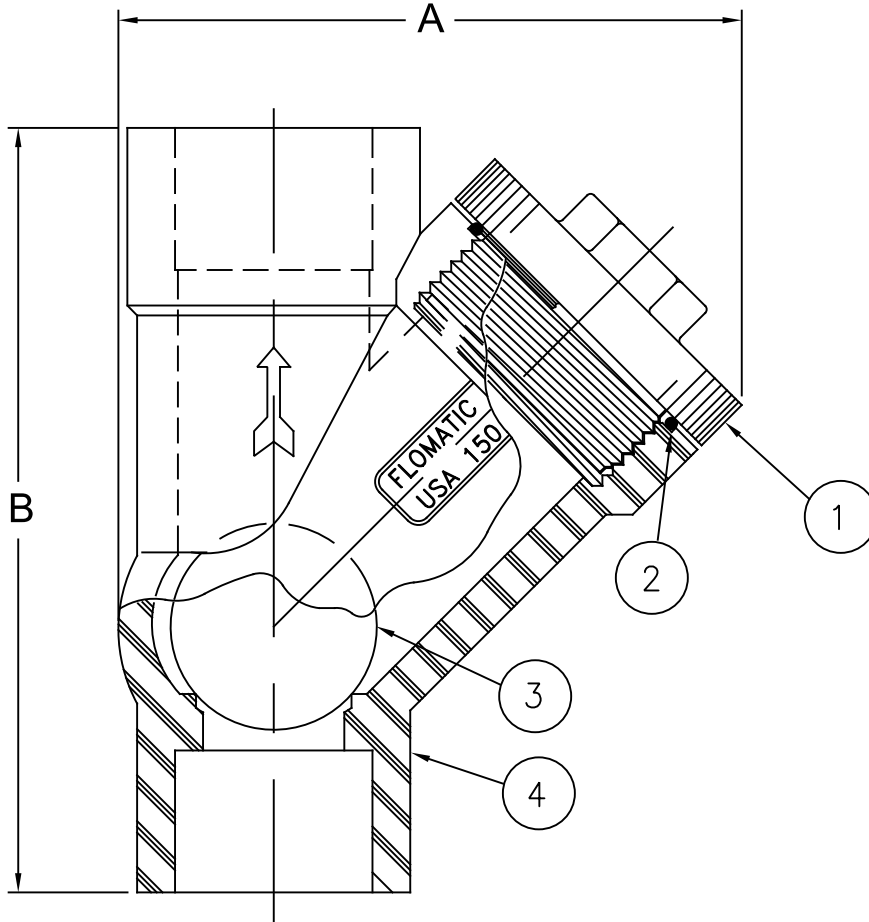
Flomatic Corporation

Sizes 1" Thru 2" / 25 mm thru 50 mm



Materials

NOTE: PLASTIC VALVES SHOULD NOT BE BURIED UNDERGROUND



Max Temp 150°F (65°C)
Max Inlet Pressure 100 psi (7 bar)

| Item # | Qty | Description | Material |
|--------|-----|----------------------|----------|
| 1 | 1 | Cap | PVC |
| 2 | 1 | O-Ring | Buna-N |
| 3 | 1 | Ball (Sinking) | Buna-N |
| 4 | 1 | Body | PVC |
| 5 | 2 | Bushing (not shown)* | PVC |

Dimensions

| Size | | Part # | A | | B | | Weight | |
|--------|----|---------|---------|-----|---------|-----|--------|-----|
| inch | mm | | inch | mm | inch | mm | lbs | kg |
| 1* | 25 | 2131-S* | 4-1/2 | 114 | 6-25/32 | 172 | 1 | .45 |
| 1-1/4 | 32 | 2132-S | 4-1/2 | 114 | 5-5/8 | 143 | 1 | .45 |
| 1-1/2* | 40 | 2133-S* | 6-11/32 | 161 | 8-13/64 | 208 | 2 | .91 |
| 2 | 50 | 2134-S | 6-11/32 | 161 | 7-1/16 | 179 | 2 | .91 |

*Uses bushing not shown

Flomatic Corporation can accept no responsibility for possible errors in catalogues, brochures and other printed material. Flomatic Corporation reserves the right to alter its products without notices. This also applies to product already agreed. All trademarks in this material are property of the respective companies. All rights reserved. ©2021 Flomatic Corporation. The drawings & information on this drawing sheet are the sole & exclusive property of Flomatic Corporation. Any reproduction, distribution, display or use of these drawings or information in whole or in part without written authorization of Flomatic Corporation is strictly prohibited. www.flomatic.com



JUNE 30, 2008
Dwg No: S2131-34S Rev: D (2/21)

FLOMATIC CORPORATION
GLENS FALLS, N.Y. 12801
PHONE (518) 761-9797
FAX (518) 761-9798