

Ball Check Valve

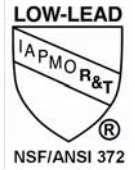
150# Flange

Model 408²

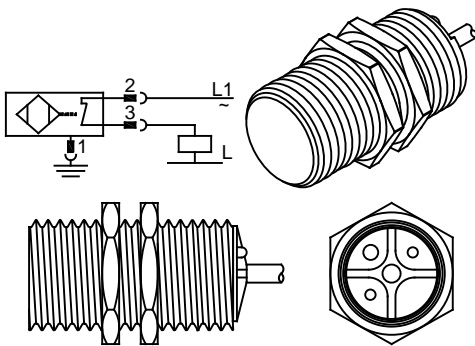
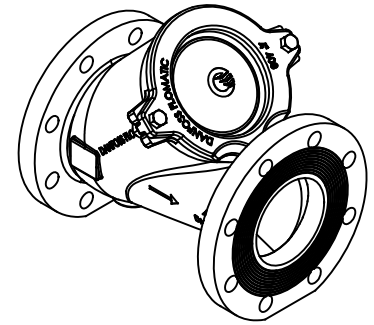
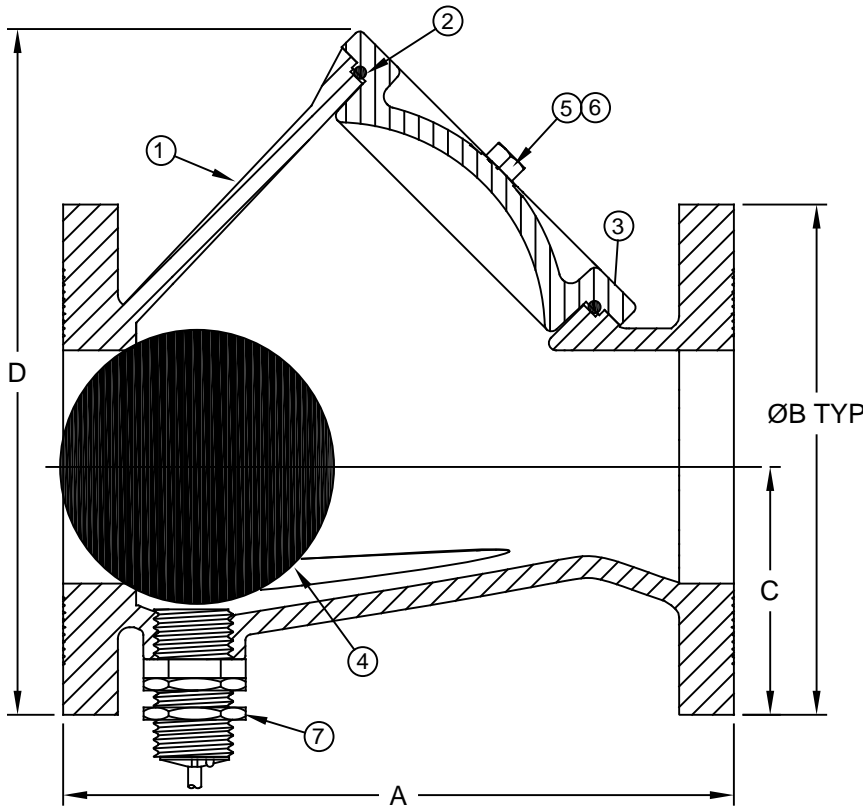


Flomatic Corporation

Sizes 3" Thru 8" / 80mm Thru 200mm



Materials with Proximity Switch



Max Temp 180°F (82°C)
Max Pressure 150psi (10bar)

Item #	Qty	Description	Material	ASTM
1	1	Body (Epoxy Coated)	Ductile Iron	65-45-12
2	1	O'Ring	Buna-n	-----
3	1	Cover (Epoxy Coated)	Ductile Iron	65-45-12
4	1	Ball (sinking)*	Buna-n/Metal Ball	-----
5	2	Bolt	Stainless Steel	18-8
6	2	Nut	Stainless Steel	18-8
7	1	Proximity Switch (Turck)	Chrome Plt Brass	-----

Dimensions (150# ANSI B16.1 Flanges)

*Optional floating ball available add "FB" to part number
8" is AIS compliant - see separate spec sheet

Size		Part #	A		B		C		D		Weight	
inch	mm		inch	mm	inch	mm	inch	mm	inch	mm	lbs	kg
3	80	2144-2PRX	9-1/2	241	7-1/2	191	3-7/64	79	10-1/4	260	37	17
4	100	2145-2PRX	11-1/2	292	9	229	4-1/4	108	11-3/4	298	56	26
6	150	3146PRX	14	356	10-3/4	273	5-1/4	134	14-1/2	368	100	45
8	200	3147PRX	19-1/2	495	13-1/16	343	6-5/16	160	20-1/4	514	186	84

Flomatic Corporation can accept no responsibility for possible errors in catalogues, brochures and other printed material. Flomatic Corporation reserves the right to alter its products without notices. This also applies to product already agreed. All trademarks in this material are property of the respective companies. All right reserved. ©2018 Flomatic Corporation. The drawings & information on this drawing sheet are the sole & exclusive property of Flomatic Corporation. Any reproduction, distribution, display or use of these drawings or information in whole or in part without written authorization of Flomatic Corporation is strictly prohibited. www.flomatic.com



September 28, 2011
Dwg No: S408SQUAREDP Rev: F (8/18)

FLOMATIC CORPORATION
GLENS FALLS, N.Y. 12801
PHONE (518) 761-9797
FAX (518) 761-9798