

# Ball Check Valve 150# Flange

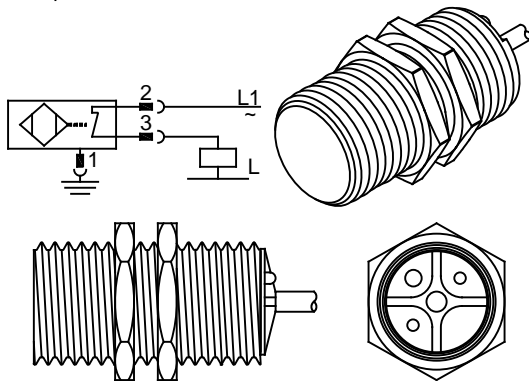
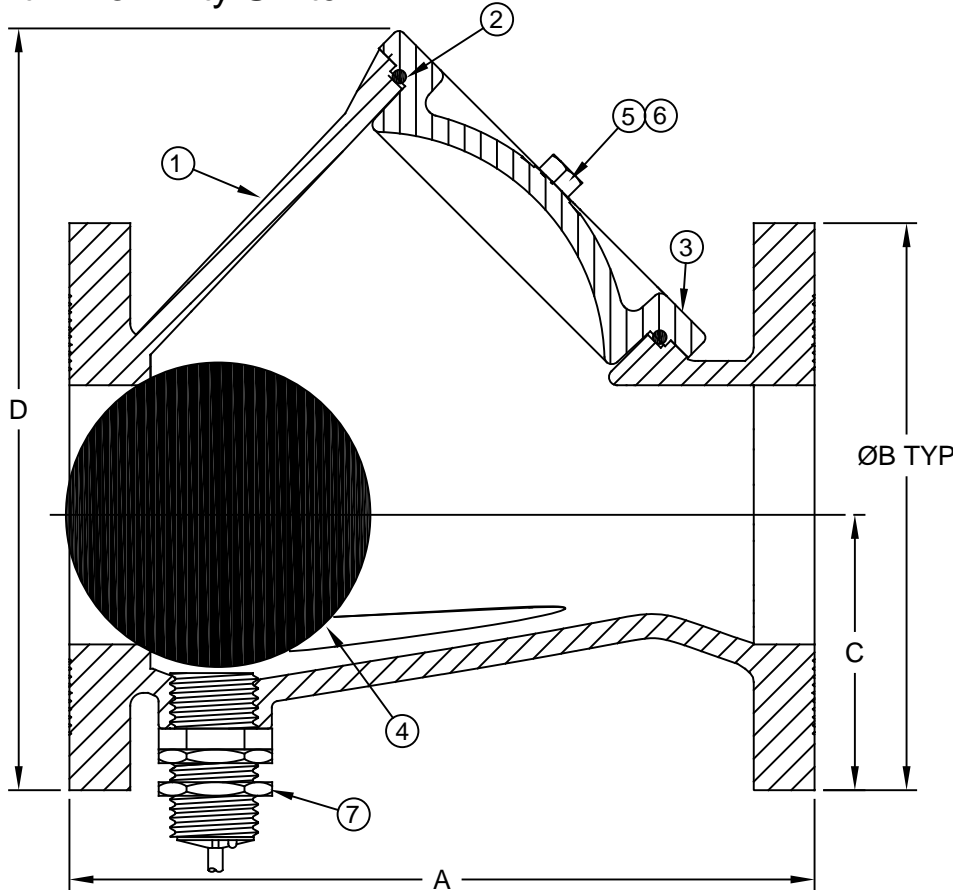
Model 408<sup>2</sup> **FLOMATIC**<sup>®</sup>

Sizes 16" Thru 24"/ 400mm Thru 600mm

Flomatic Corporation



## Materials with Proximity Switch



Max Temp 120°F (49°C)  
Max Inlet Pressure 150 psi (10 bar)

Item #	Qty	Description	Material	ASTM
1	1	Body (Epoxy Coated)	Ductile Iron	65-45-12
2	1	O'Ring	Buna-n	-----
3	1	Cover (Epoxy Coated)	Ductile Iron	65-45-12
4	1	Ball (sinking)*	Buna-n/Metal Ball	-----
5	2	Bolt	Stainless Steel	18-8
6	2	Nut	Stainless Steel	18-8
7	1	Proximity Switch (Turck)	Chrome Plt Brass	-----

## Dimensions (150# ANSI B16.1 Flanges)

\*Optional floating ball available add "FB" to part number  
Not AIS compliant - see separate spec sheet

Size		Part #	A		B		C		D		E		Weight	
inch	mm		inch	mm	inch	mm	inch	mm	inch	mm	inch	mm	lbs	kg
16	400	2151-2	36	914	23-1/2	597	11-3/4	299	41-1/2	105	1-7/16	37	1000	454
20	400	2152-2	43-5/16	1010	27-1/2	699	13-3/4	349	50-5/32	1274	1-11/16	43	1650	749
24	400	2153-2	51	1295	32	813	16	406	55-13/16	1417	1-7/8	48	2725	1236

Flomatic Corporation can accept no responsibility for possible errors in catalogues, brochures and other printed material. Flomatic Corporation reserves the right to alter its products without notices. This also applies to product already agreed. All trademarks in this material are property of the respective companies. All right reserved. ©2018 Flomatic Corporation. The drawings & information on this drawing sheet are the sole & exclusive property of Flomatic Corporation. Any reproduction, distribution, display or use of these drawings or information in whole or in part without written authorization of Flomatic Corporation is strictly prohibited.