

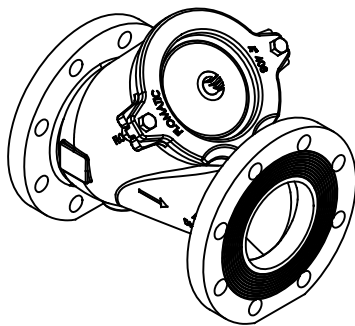
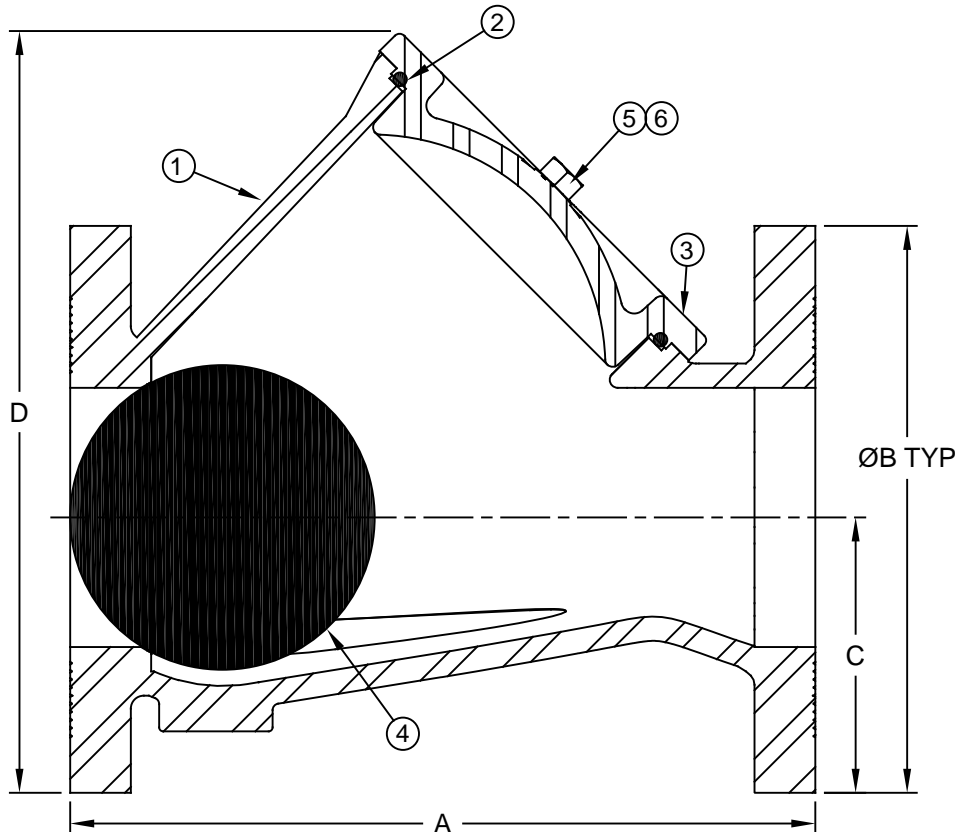
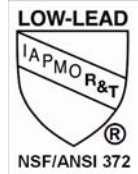
Ball Check Valve 150# Flange

Model 408²S6 **FLOMATIC**[®]

Sizes 4" / 100mm
 AIS COMPLIANT - MADE IN THE USA

Flomatic Corporation

Materials



Max Temp 180°F (82°C)
 Max Inlet Pressure 150 psi (10 bar)

Item #	Qty	Description	Material	ASTM
1	1	Body	Stainless Steel	316
2	1	O'Ring	Buna-n	-----
3	1	Cover	Stainless Steel	316
4	1	Ball (sinking)*	Buna-n/Metal Ball	-----
5	2	Bolt	Stainless Steel	316
6	2	Nut	Stainless Steel	316

*Optional floating ball available add "FB" to part number

Dimensions (150# ANSI B16.1 Flanges)

Size		Part #	A		B		C		D		Weight	
inch	mm		inch	mm	inch	mm	inch	mm	inch	mm	lbs	kg
4	100	3145S6	11-1/2	292	9	229	4-1/4	108	11-3/4	298	56	26

Flomatic Corporation can accept no responsibility for possible errors in catalogues, brochures and other printed material. Flomatic Corporation reserves the right to alter its products without notices. This also applies to product already agreed. All trademarks in this material are property of the respective companies. All right reserved. ©2018 Flomatic Corporation. The drawings & information on this drawing sheet are the sole & exclusive property of Flomatic Corporation. Any reproduction, distribution, display or use of these drawings or information in whole or in part without written authorization of Flomatic Corporation is strictly prohibited.



March 16, 2016
 Dwg No:S408²S6 Rev: B (3/18)

FLOMATIC CORPORATION
 GLENS FALLS, N.Y. 12801
 PHONE (518) 761-9797
 FAX (518) 761-9798