

# Ball Check Valve

# Model 508S6

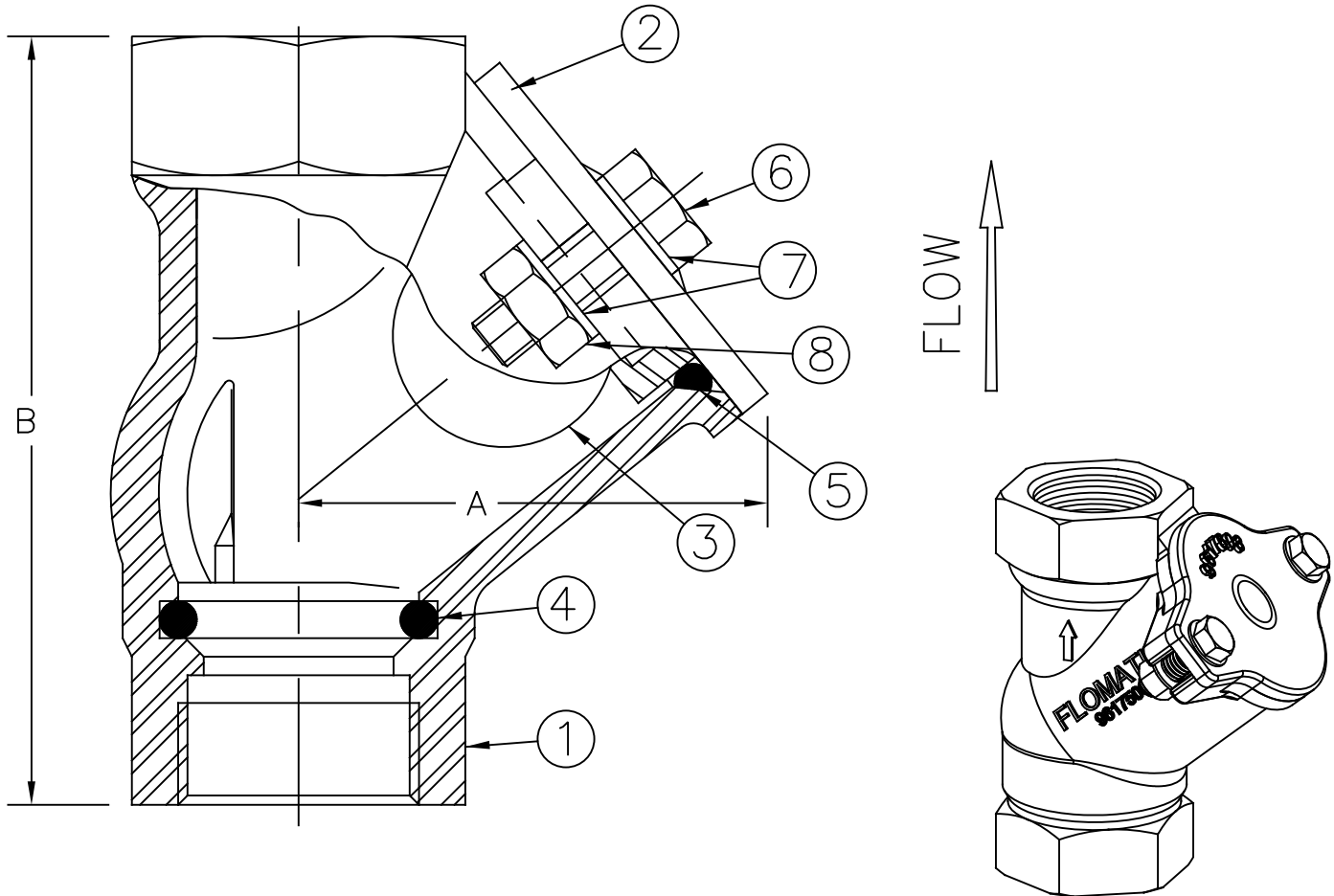


Flomatic Corporation

Sizes 1-1/4" Thru 2" / 32 mm Thru 50 mm



## Materials



Item #	Qty	Description	Material	ASTM	Item #	Qty	Description	Material	ASTM
1	1	Body	Stainless Steel	316	5	1	Cover Seal	Nitrile	-----
2	1	Cover	Stainless Steel	316	6	2	Bolt	Stainless Steel	316
3	1	Ball (Sinking)*	Phenolic	-----	7	4	Washer	Stainless Steel	316
4	1	Seat Seal	Nitrile	-----	8	2	Hex Nut	Stainless Steel	316

\*Optional floating ball available add "FB" to part number

## Dimensions (FNPT x FNPT)

Max Temp 180°F (82°C)  
Max Inlet Pressure 150 psi (10 bar)

Size		Part #	A		B		Width		Weight	
inch	mm		inch	mm	inch	mm	inch	mm	lbs	kg
1-1/4	32	3233S6	3-7/64	79	5-13/64	132	4-1/4	108	4.5	2.1
1-1/2	40	3234S6	3-13/32	87	5-45/64	145	4-51/64	122	6	2.7
2	50	3235S6	4	102	6-27/32	174	5-7/16	138	8	3.6

Flomatic Corporation can accept no responsibility for possible errors in catalogues, brochures and other printed material. Flomatic Corporation reserves the right to alter its products without notices. This also applies to product already agreed. All trademarks in this material are property of the respective companies. All right reserved. ©2018 Flomatic Corporation. The drawings & information on this drawing sheet are the sole & exclusive property of Flomatic Corporation. Any reproduction, distribution, display or use of these drawings or information in whole or in part without written authorization of Flomatic Corporation is strictly prohibited. [www.flomatic.com](http://www.flomatic.com)



November 8, 2018  
Dwg No: S508S6 Rev: 0

FLOMATIC CORPORATION  
GLENS FALLS, N.Y. 12801  
PHONE (518) 761-9797  
FAX (518) 761-9798