

Foot Valve

Model 60SE

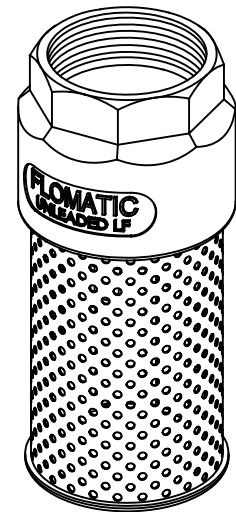
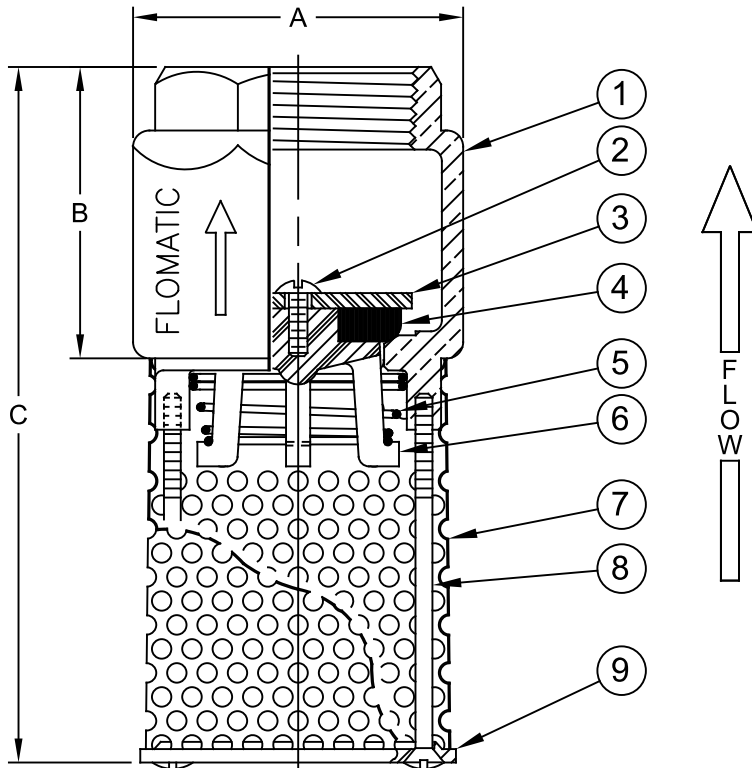
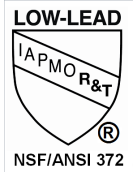


Flomatic Corporation

Sizes 1" & 1-1/4" / 25 mm & 32 mm

Materials

Enviro Check®



Max Temp 180°F (82°C)
Max Pressure 250psi (18bar)

Item #	Qty	Description	Material	ASTM
1	1	Body	Unleaded Bronze	C89833
2	1	Screw	Stainless Steel	18-8
3	1	Washer	Stainless Steel	304
4	1	Disc	Buna-N	N-5007
5	1	Spring	Stainless Steel	302
6	1	Guide*	Delrin	8020
7	1	Screen	Stainless Steel	18-8
8	2	Screw	Stainless Steel	18-8
9	1	Cap	Polycarbonate	-----

*1-1/4" Guide is Delrin 100 NC010
Patent # 4,971,093

Dimensions (FNPT)

ANSI B1.20.1

Size		Part #	A		B		C		Weight	
inch	mm		inch	mm	inch	mm	inch	mm	lbs	kg
1	25	4101E	1-29/32	49	1-25/32	45	4-59/64	125	.64	.29
1-1/4	32	4103E	2-17/64	57	1-55/64	47	5	127	.96	.44

Flomatic Corporation can accept no responsibility for possible errors in catalogues, brochures and other printed material. Flomatic Corporation reserves the right to alter its products without notices. This also applies to product already agreed. All trademarks in this material are property of the respective companies. All rights reserved. ©2021 Flomatic Corporation. The drawings & information on this drawing sheet are the sole & exclusive property of Flomatic Corporation. Any reproduction, distribution, display or use of these drawings or information in whole or in part without written authorization of Flomatic Corporation is strictly prohibited. www.flomatic.com



May 12, 1995
Dwg No: S4101E-4 Rev: K (2/21)

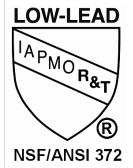
FLOMATIC CORPORATION
GLENS FALLS, N.Y. 12801
PHONE (518) 761-9797
FAX (518) 761-9798

Foot Valve

Model 60SE

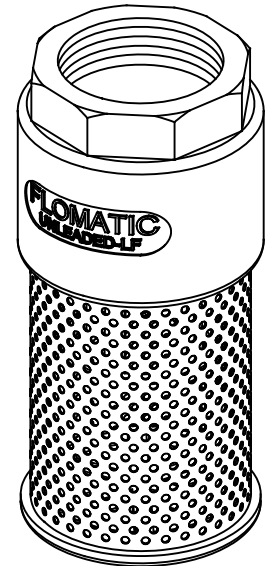
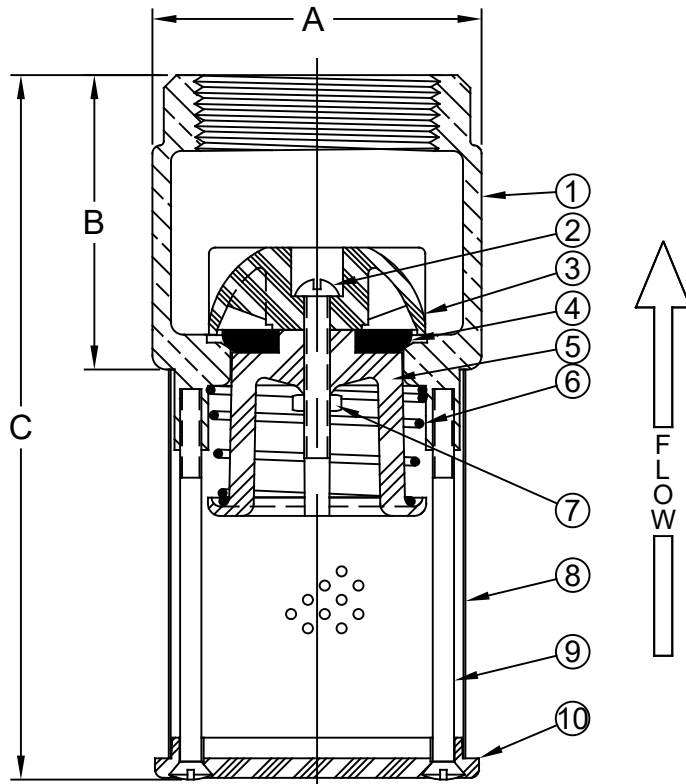
FLOMATIC®
Flomatic Corporation

Sizes 1-1/2" / 40 mm



Materials

Enviro Check®



Max Temp 180°F (82°C)
Max Pressure 250psi (18bar)

Item #	Qty	Description	Material	ASTM
1	1	Body	Unleaded Bronze	C89833
2	1	Screw	Stainless Steel	302
3	1	Dome	Celcon	M90
4	1	Disc	Buna-n	N-5007
5	1	Guide	Celcon	M90
6	1	Spring	Stainless Steel	302
7	1	Nut	SS / Nylon Insert	304
8	1	Screen	Stainless Steel	304
9	2	Screw	Stainless Steel	18-8
10	1	Cap	Delrin	500

Dimensions (FNPT)

ANSI B1.20.1

Size		Part #	A		B		C		Weight	
inch	mm		inch	mm	inch	mm	inch	mm	lbs	kg
1-1/2	40	4104E	2-33/64	65	2-17/64	58	5-7/16	138	1-19/32	.73

Flomatic Corporation can accept no responsibility for possible errors in catalogues, brochures and other printed material. Flomatic Corporation reserves the right to alter its products without notices. This also applies to product already agreed. All trademarks in this material are property of the respective companies. All rights reserved. ©2021 Flomatic Corporation. The drawings & information on this drawing sheet are the sole & exclusive property of Flomatic Corporation. Any reproduction, distribution, display or use of these drawings or information in whole or in part without written authorization of Flomatic Corporation is strictly prohibited. www.flomatic.com

FLOMATIC® VALVES

January 15, 2004
Dwg No: S4104E Rev: E (11/21)

FLOMATIC CORPORATION
GLENS FALLS, N.Y. 12801
PHONE (518) 761-9797
FAX (518) 761-9798