

# Foot Valve

# Model 333E



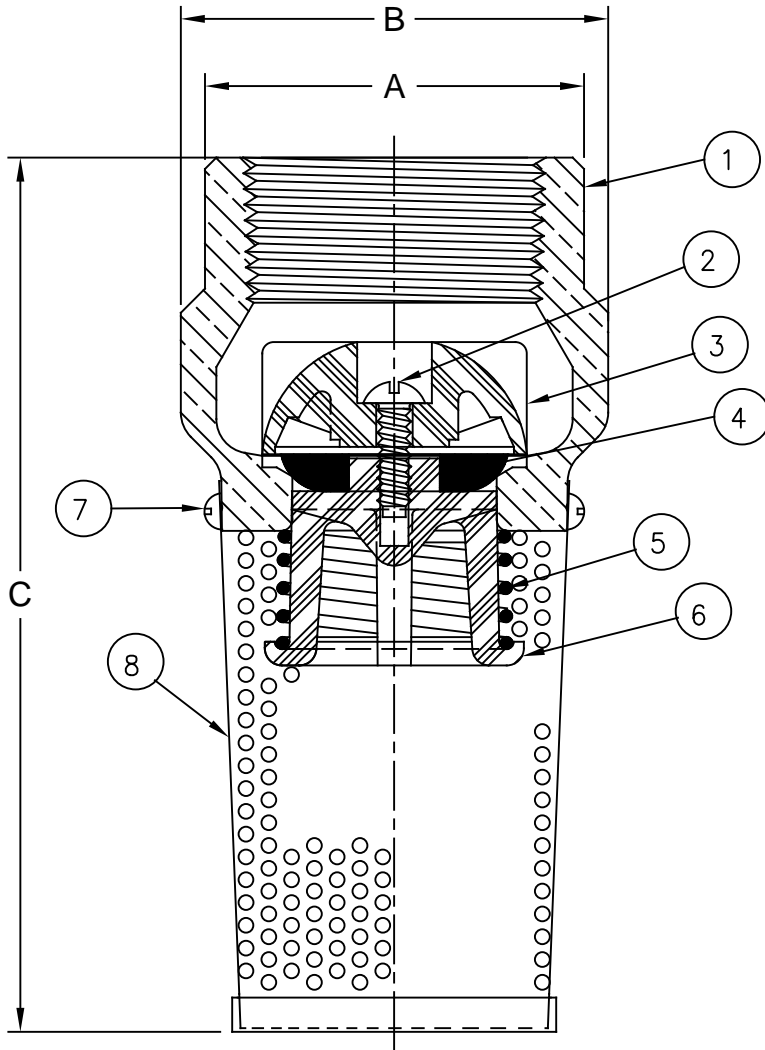
Flomatic Corporation

Sizes 1" & 1-1/4" / 25 mm & 32 mm

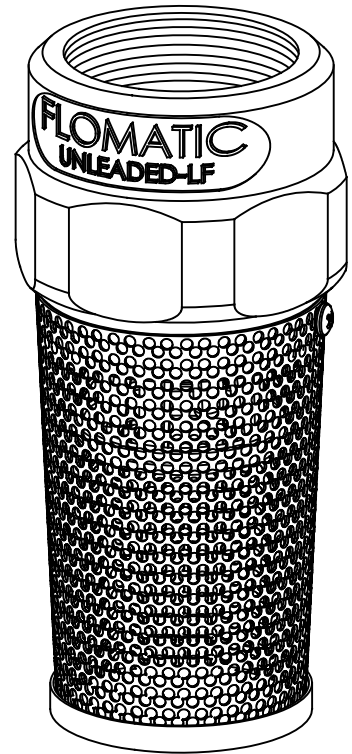


## Materials

Enviro Check®



FLOW ↑



Max Temp 180°F (82°C)  
Max Pressure 250psi (18bar)

Item #	Qty	Description	Material	ASTM	Item #	Qty	Description	Material	ASTM
1	1	Body	Unleaded Bronze	C89833	5	1	Spring	Stainless Steel	302
2	1	Screw	Stainless Steel	18-8	6	1	Guide*	Delrin	500P
3	1	Dome	Delrin	500P	7	1	Screw	Stainless Steel	18-8
4	1	Disc	Buna-n	N-5007	8	1	Screen	Stainless Steel	304

## Dimensions (FNPT)

\*1" uses Celcong 10

Size		Part #	A		B		C		Weight	
inch	mm		inch	mm	inch	mm	inch	mm	lbs	kg
1	25	4171E	1-3/4	44	1-15/16	49	4-13/16	122	39/64	.27
1-1/4	32	4172E	2-5/64	53	2-11/32	60	4-53/64	123	51/64	.36

Patent # 4,971,093

Flomatic Corporation can accept no responsibility for possible errors in catalogues, brochures and other printed material. Flomatic Corporation reserves the right to alter its products without notices. This also applies to product already agreed. All trademarks in this material are property of the respective companies. All right reserved. ©2019 Flomatic Corporation. The drawings & information on this drawing sheet are the sole & exclusive property of Flomatic Corporation. Any reproduction, distribution, display or use of these drawings or information in whole or in part without written authorization of Flomatic Corporation is strictly prohibited. [www.flomatic.com](http://www.flomatic.com)



October 31,1996  
Dwg No: S4171E Rev: F (3/19)

FLOMATIC CORPORATION  
GLENS FALLS, N.Y. 12801  
PHONE (518) 761-9797  
FAX (518) 761-9798