

Foot Valve

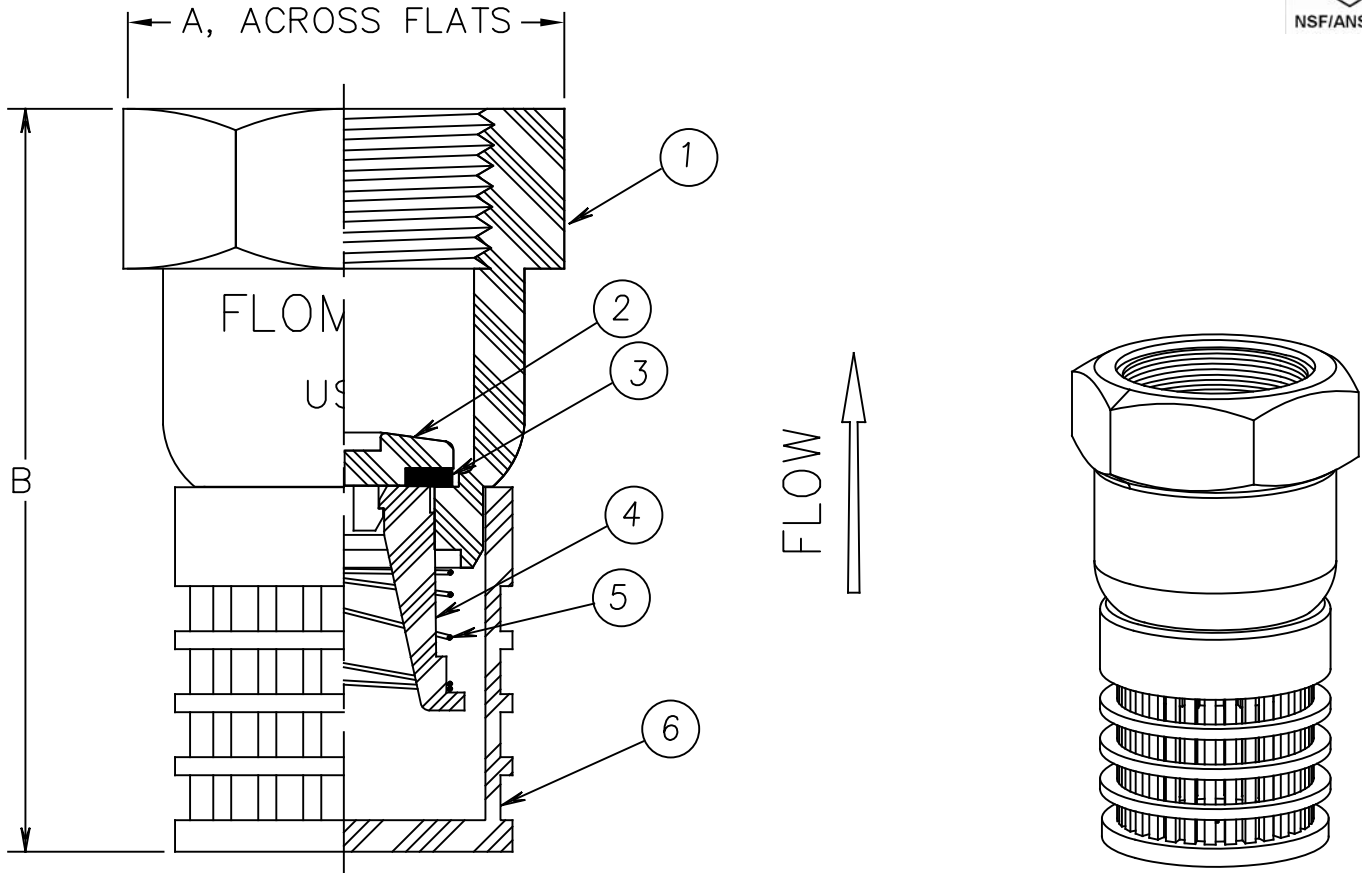
Model 104P



Sizes 1" & 1-1/4" / 25mm & 32mm



Materials



Max Temp 150°F (65°C)
Max Pressure 150psi (10bar)

Item #	Qty	Description	Material	ASTM
1	1	Body*	Noryl	731S
2	1	Poppet Head	Hostaform	C9021
3	1	Rubber Disc**	Buna-N	N-7039
4	1	Guide	Delrin	570 NC
5	1	Spring	Stainless Steel	302
6	1	Strainer	HDPE	KT 10000

* 1" is Hostaform

Dimensions (FNPT)

Size		Part #	A		B		Weight	
inch	mm		inch	mm	inch	mm	lbs	kg
1	25	5732	1-9/16	40	3-1/8	79	3/32	.04
1-1/4	32	5733	1-15/16	49	3-13/16	97	5/32	.07

Flomatic Corporation can accept no responsibility for possible errors in catalogues, brochures and other printed material. Flomatic Corporation reserves the right to alter its products without notices. This also applies to product already agreed. All trademarks in this material are property of the respective companies. All right reserved. ©2019 Flomatic Corporation. The drawings & information on this drawing sheet are the sole & exclusive property of Flomatic Corporation. Any reproduction, distribution, display or use of these drawings or information in whole or in part without written authorization of Flomatic Corporation is strictly prohibited. www.flomatic.com



May 10, 1994
Dwg No: S5731-3P Rev H (4/19)

FLOMATIC CORPORATION
GLENS FALLS, N.Y. 12801
PHONE (518) 761-9797
FAX (518) 761-9798