

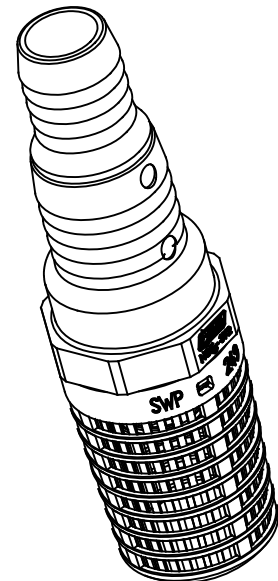
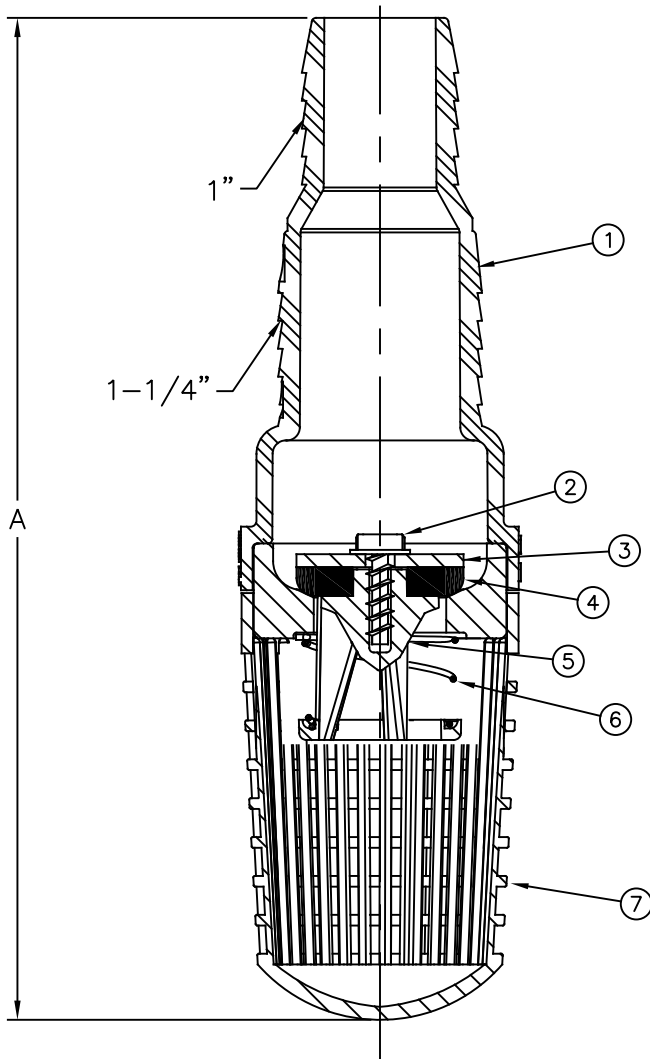
Foot Valve

Model 124P **FLOMATIC®**

Sizes 1" & 1-1/4" / 25mm & 32mm

Flomatic Corporation

Materials



Open Area: 30-40%
 Max Temp 140°F (60°C)
 Max Pressure 150psi (10bar)

Item #	Qty	Description	Material	ASTM	Item #	Qty	Description	Material	ASTM
1	1	Body	PVC	509	5	1	Poppet	Delrin	100P
2	1	Screw	Stainless Steel	410	6	1	Spring	Stainless Steel	304
3	1	Washer	Stainless Steel	304	7	1	Screen	Polypropylene	7523
4	1	Disc	Buna-N	-----					

Dimensions (Barbed Connection)

Size		Part #	A		Weight	
inch	mm		inch	mm	lbs	kg
1 & 1-1/4	25 - 32	5728PI	7	178	.24	.11

Flomatic Corporation can accept no responsibility for possible errors in catalogues, brochures and other printed material. Flomatic Corporation reserves the right to alter its products without notices. This also applies to product already agreed. All trademarks in this material are property of the respective companies. All rights reserved. ©2020 Flomatic Corporation. The drawings & information on this drawing sheet are the sole & exclusive property of Flomatic Corporation. Any reproduction, distribution, display or use of these drawings or information in whole or in part without written authorization of Flomatic Corporation is strictly prohibited. www.flomatic.com