

Foot Valve

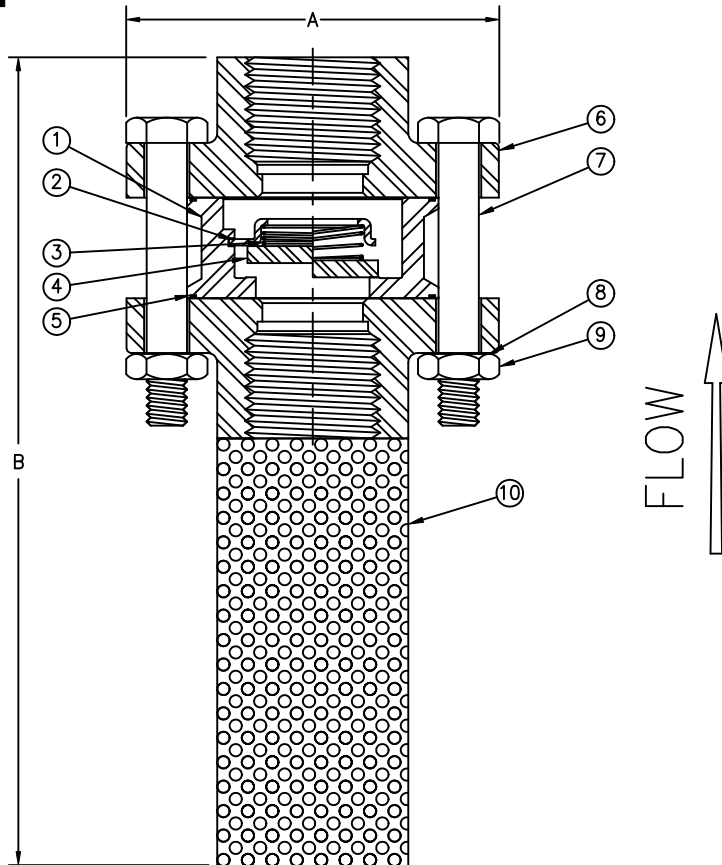
Model 812XTF



Sizes 1/2" Thru 2-1/2" / 25mm Thru 65mm



Material



Open Area: 25-30%
 Max Temp 400°F (200°C)
 Max Pressure 300psi (21bar)

Item #	Qty	Description	Material	ASTM	Item #	Qty	Description	Material	ASTM
1	1	Body	Stainless Steel	316	6	2	Flange	Stainless Steel	316
2	1	Holder	Stainless Steel	316	7	4	Hex Head Bolt	Stainless Steel	316
3	1	Spring	Stainless Steel	316	8	4	Washer	Stainless Steel	316
4	1	Disc	Stainless Steel	316	9	4	Hex Head Nut	Stainless Steel	316
5	2	Seal	PTFE	---	10	1	Screen	Stainless Steel	316

Dimensions

Size		Part #	A		B		Weight	
Inch	mm		Inch	mm	Inch	mm	lbs	kg
1/2	15	2420XTF	2-5/64	53	6-31/32	177	2	1
3/4	20	2421XTF	2-1/4	57	7-5/64	180	4	2
1	25	2422XTF	2-1/2	64	7-1/2	191	5	2
1-1/4	32	2423XTF	2-15/16	75	8-7/16	214	9	4
1-1/2	40	2424XTF	3-5/16	84	9	229	12	5
2	50	2425XTF	3-55/64	98	10-7/8	276	14	6
2-1/2	65	2426XTF	4-29/32	125	8-11/16	221	20	9

Fomatic Corporation can accept no responsibility for possible errors in catalogues, brochures and other printed material. Fomatic Corporation reserves the right to alter its products without notices. This also applies to product already agreed. All trademarks in this material are property of the respective companies. All right reserved. ©2011 Fomatic Corporation. The drawings & information on this drawing sheet are the sole & exclusive property of Fomatic Corporation. Any reproduction, distribution, display or use of these drawings or information in whole or in part without written authorization of Fomatic Corporation is strictly prohibited.



January 16, 1998
 Dwg No: S812XTF1 Rev: C (7/13)

FLOMATIC CORPORATION
 GLENS FALLS, N.Y. 12801
 PHONE (518) 761-9797
 FAX (518) 761-9798