

# Foot Valve

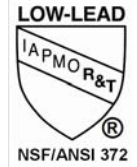
# Globe Style

# Model 302BT

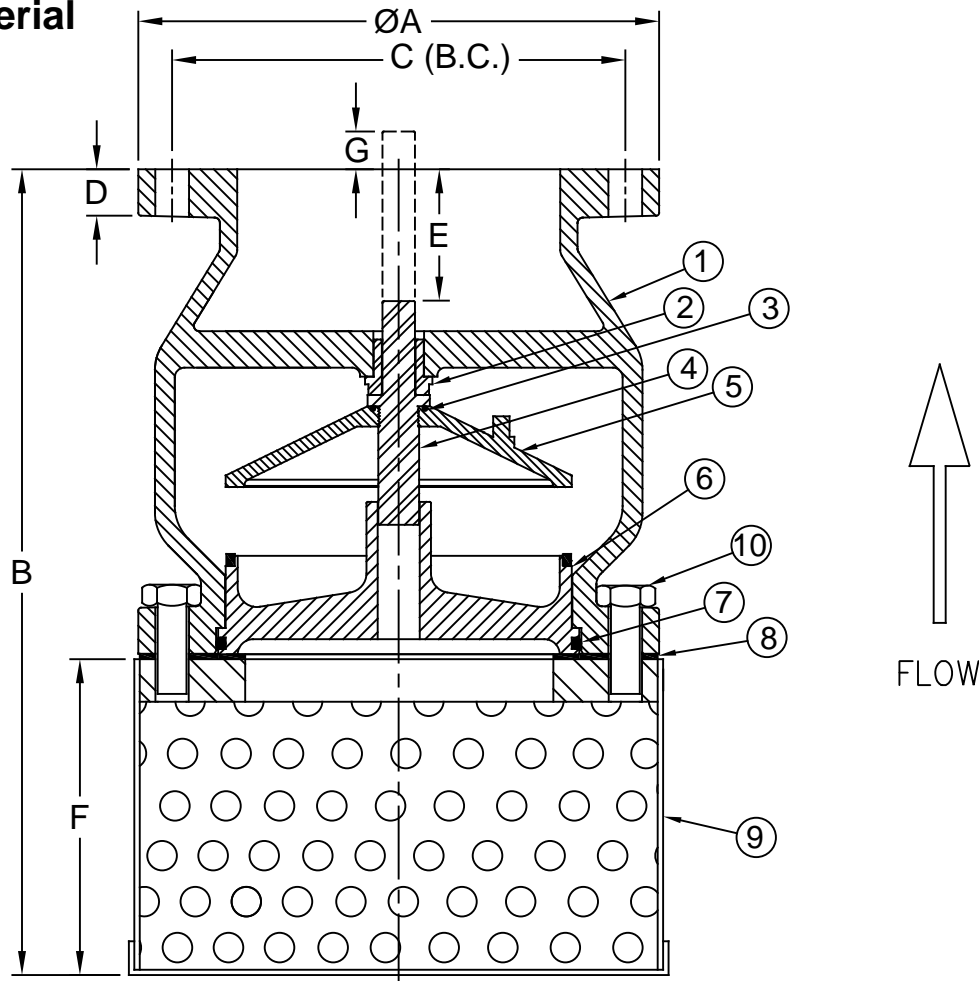


Flomatic Corporation

Sizes 8" Thru 12" / 200 mm Thru 300 mm



## Material



Open Area: 58-60%  
 Max Temp 180°F (82°C)  
 Max Pressure 180psi (14bar)

Item #	Qty	Description	Material	ASTM	Item #	Qty	Description	Material	ASTM
1	1	Body (epoxy coated)	Cast Iron	Class 30	6	1	Seat Ring	Bronze	C89833
2	1	Bushing	Bronze	C95400	7	1	O'Ring	EPDM	-----
3	1	O'Ring	EPDM	-----	8	1	Gasket	Vellumoid	-----
4	1	Stem	Stainless Steel	316	9	1	Screen	Stainless Steel	316
5*	1	Poppet	Bronze	C89833	10	AR	Hex Head Bolt	Zinc Plated Steel	-----

## Dimensions (ANSI Class 125# Flange)

Size		Part #	A		B		C		D		E		F		G		Bolt Size	# of Bolts	Weight	
inch	mm		inch	mm	inch	mm	inch	mm	inch	mm	inch	mm	inch	mm	inch	mm			lbs	kg
8	200	4774BT	13-1/2	343	20-3/4	527	11-3/4	298	1-1/8	29	3-3/8	86	8	203	N/A	N/A	3/4	8	160	73
10	250	4775BT	16	406	25-5/8	651	14-1/4	362	1-3/16	30	3-59/64	100	10	254	N/A	N/A	7/8	12	260	118
12*	300	5416BT	19	483	26-1/2	673	17	432	1-1/4	32	N/A	N/A	12	302	13/16	21	7/8	12	410	186

\*The 12" body is Ø19-1/2" - 1/2" larger than the flanges.

**Patent # 6,024,121**

Flomatic Corporation can accept no responsibility for possible errors in catalogues, brochures and other printed material. Flomatic Corporation reserves the right to alter its products without notices. This also applies to product already agreed. All trademarks in this material are property of the respective companies. All right reserved. ©2018 Flomatic Corporation. The drawings & information on this drawing sheet are the sole & exclusive property of Flomatic Corporation. Any reproduction, distribution, display or use of these drawings or information in whole or in part without written authorization of Flomatic Corporation is strictly prohibited. [www.flomatic.com](http://www.flomatic.com)



June 25, 2004  
 Dwg No: S302bt-2 Rev: E (11/18)

FLOMATIC CORPORATION  
 GLENS FALLS, N.Y. 12801  
 PHONE (518) 761-9797  
 FAX (518) 761-9798