

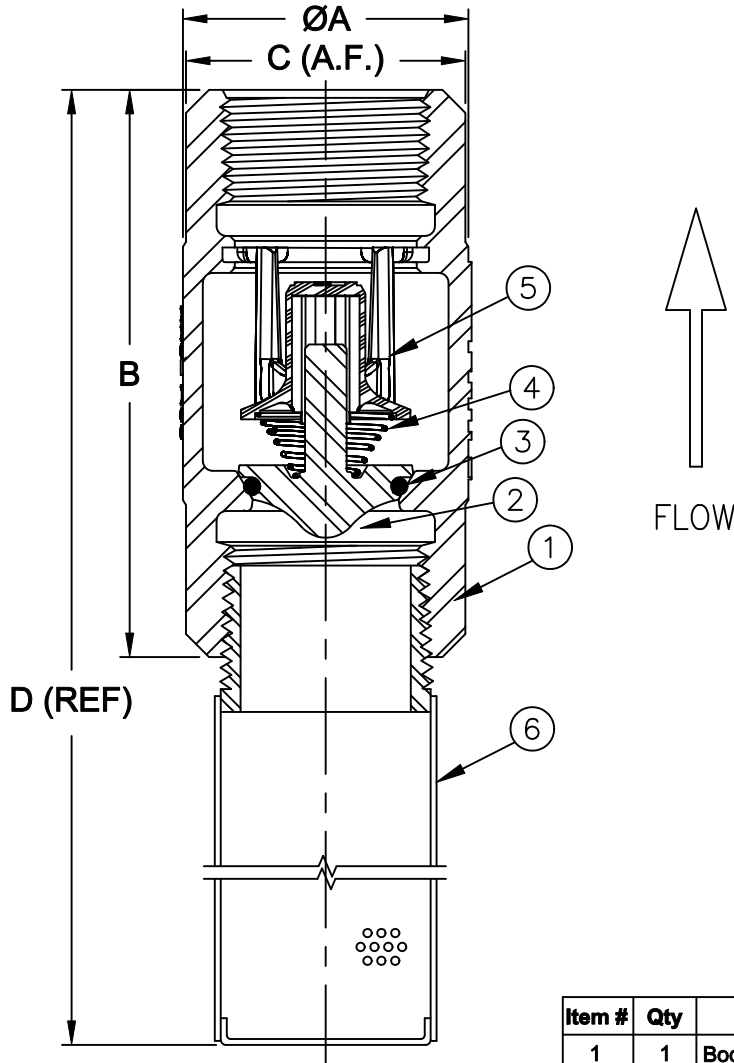
Foot Valve

Model 80S6F-VFD



Sizes 1" thru 1-1/2" / 25mm thru 40mm

Material



25-30% Screen Material Open Area
 Max Temp 180°F (82°C)
 Max Pressure 400psi (28bar)

Item #	Qty	Description	Material	ASTM
1	1	Body	Stainless Steel	316
2	1	Poppet	Stainless Steel	304
3	1	O'Ring	Buna-N	----
4	1	Spring	Stainless Steel	302
5	1	Guide	Delrin	100 Black
6	1	Screen	Stainless Steel	316

Dimensions (FNPT)

Size		Part #	ØA		B		C (A.F.)		D (REF)		Weight	
Inch	mm		inch	mm	inch	mm	inch	mm	inch	mm	lbs	kg
1	25	4031S6FVFD	1-51/64	46	3-37/64	91	1-5/8	41	8-1/2	216	2.0	.91
1-1/4	32	4032S6FVFD	2-3/16	56	4-3/16	106	1-15/16	49	9-1/2	241	2.6	1.2
1-1/2	40	4033S6FVFD	2-19/32	66	4-5/8	118	2-1/4	57	10-1/2	267	3.6	1.6

Flomatic Corporation can accept no responsibility for possible errors in catalogues, brochures and other printed material. Flomatic Corporation reserves the right to alter its products without notices. This also applies to product already agreed. All trademarks in this material are property of the respective companies. All right reserved. ©2016 Flomatic Corporation. The drawings & information on this drawing sheet are the sole & exclusive property of Flomatic Corporation. Any reproduction, distribution, display or use of these drawings or information in whole or in part without written authorization of Flomatic Corporation is strictly prohibited.



October 3, 2016
 Dwg No: S4031-3S6FVFD Rev: 0

FLOMATIC CORPORATION
 GLENS FALLS, N.Y. 12801
 PHONE (518) 761-9797
 FAX (518) 761-9798