

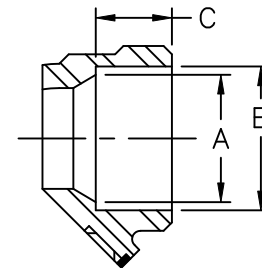
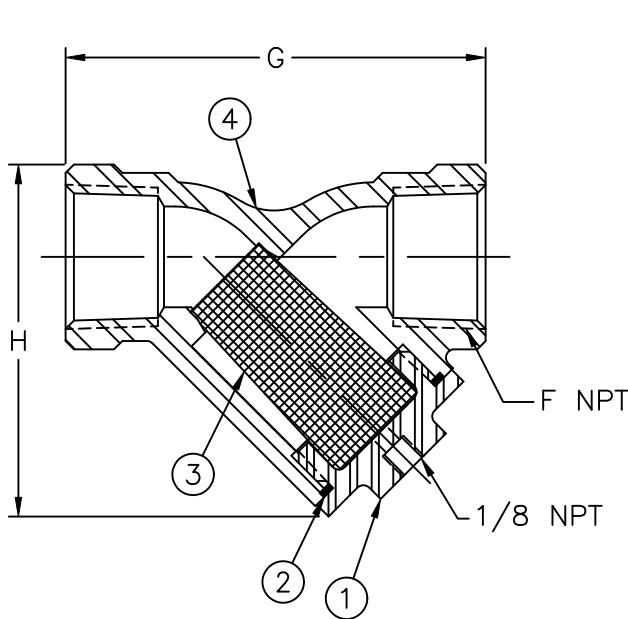
Strainer

Model 16

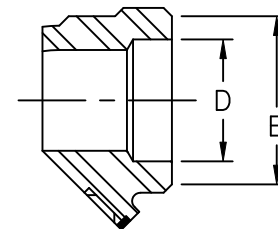


Sizes 1/4" Thru 2" / 8mm Thru 50mm

Materials (Ward Valve)



SOCKET WELD



BUTT WELD

Max Temp 800°F (427°C)
Max Pressure 600psi (42bar)

Item #	Qty	Description	Material	ASTM
1	1	Cap	Stainless Steel	316
2	1	Gasket	PTFE	-----
3	1	Strainer (20 mesh)	Stainless Steel	316
4	1	Body	Stainless Steel	316

Dimensions

Size		Part #	A		B		C		D		E		F		G		H		Weight	
Inch	mm		Inch	mm	Inch	mm	Inch	mm	Inch	mm	Inch	mm	Inch	mm	Inch	mm	Inch	mm	lbs	kg
1/4	8	S250110300	3/8	10	7/8	22	1/2	13	5/8	16	27/32	21	1/4	7	2-7/16	62	2-13/64	56	.9	.4
3/8	10	S375110300	1/2	13	23/32	18	1/2	13	1/2	13	27/32	21	3/8	10	2-7/16	62	2-13/64	56	.85	.4
1/2	15	S500110300	5/8	16	7/8	22	1/2	13	5/8	16	27/32	21	1/2	13	2-7/16	62	2-13/64	56	.8	.3
3/4	20	S750110300	13/16	21	1-1/16	27	9/16	14	13/16	21	1-1/16	27	3/4	19	3-1/8	79	2-3/4	70	1.2	.5
1	25	S001110300	1-1/16	27	1-11/32	34	5/8	16	1-1/16	27	1-5/16	33	1	25	3-1/2	89	3-19/64	84	1.7	.7
1-1/4	32	S125110300	1-3/8	35	1-11/16	43	11/16	17	1-3/8	35	1-21/32	42	1-1/4	32	4-3/4	121	3-61/64	100	4	2
1-1/2	40	S015110300	1-5/8	41	1-15/16	49	3/4	19	1-5/8	41	1-29/32	48	1-1/2	38	4-3/4	121	4-7/16	113	4	2
2	50	S002110300	2-1/16	52	2-13/32	61	7/8	22	2-1/16	52	2-3/8	60	2	51	6	152	5-1/2	140	6.7	3

Flomatic Corporation can accept no responsibility for possible errors in catalogues, brochures and other printed material. Flomatic Corporation reserves the right to alter its products without notices. This also applies to product already agreed. All trademarks in this material are property of the respective companies. All right reserved. ©2011 Flomatic Corporation. The drawings & information on this drawing sheet are the sole & exclusive property of Flomatic Corporation. Any reproduction, distribution, display or use of these drawings or information in whole or in part without written authorization of Flomatic Corporation is strictly prohibited.



February 5, 2001
Dwg No: S9058 Rev D (7/15)

FLOMATIC CORPORATION
GLENS FALLS, N.Y. 12801
PHONE (518) 761-9797
FAX (518) 761-9798