

Foot Valve

Globe Style

Model 302S6

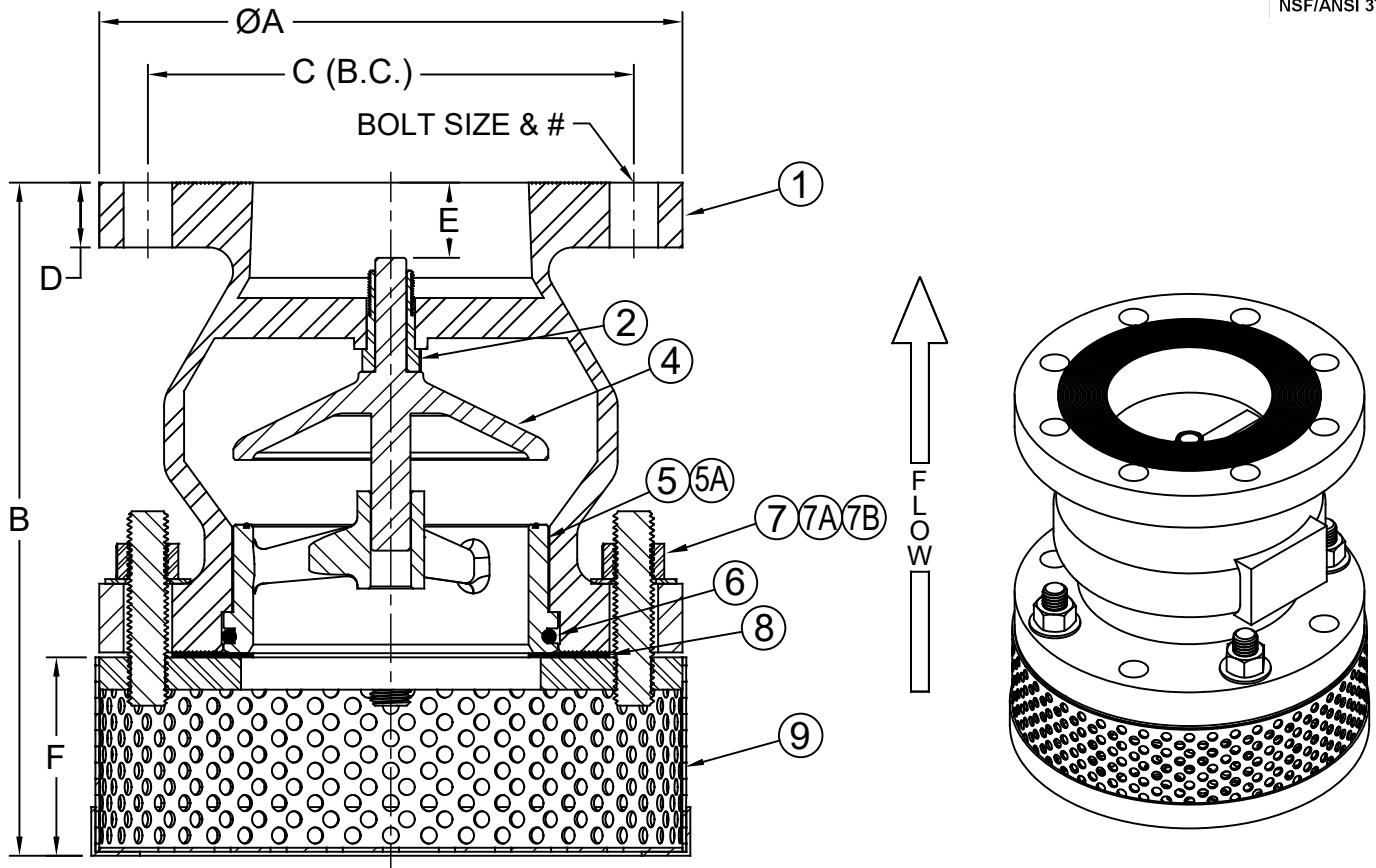


Flomatic Corporation

Sizes 2" Thru 4" / 50 mm Thru 100 mm



Material



Max Temp 200°F (93°C)
Max Inlet Pressure @ 100° F (38°C) 275 psi (19bar)

| Item # | Qty | Description | Material | ASTM | Item # | Qty | Description | Material | ASTM |
|--------|-----|-------------|-----------------|---------|--------|-----|-------------|-----------------|-------|
| 1 | 1 | Body | Stainless Steel | 316 | 7 | 4 | Stud | Stainless Steel | 316 |
| 2 | 1 | Bushing | Stainless Steel | 316 | 7A | 4 | Nut | Stainless Steel | 316 |
| 4 | 1 | Poppet | Stainless Steel | 316 | 7B | 4 | Washer | Stainless Steel | 316 |
| 5 | 1 | Seat Ring | Stainless Steel | 316 | 8 | 1 | Gasket | Vellumoid | ----- |
| 5A | 1 | O-Ring | EPDM | 5778-70 | 9 | 1 | Screen | Stainless Steel | 316 |
| 6 | 1 | O-Ring | EPDM | 5778-70 | | | | | |

Open Area: 58-60%

Dimensions (150# ANSI B16.42 Flanges)

PATENT # 6,024,121

| Size | Part # | ØA | | B | | ØC | | D | | E | | F | | Bolt Size | # of Bolts | Weight | | |
|-------|--------|--------|-------|------|---------|------|-------|------|-------|------|--------|------|----|-----------|------------|--------|----|----|
| | | inch | mm | inch | mm | inch | mm | inch | mm | inch | mm | inch | mm | | | lbs | kg | |
| 2 | 50 | 4763S6 | 6 | 152 | 8-21/64 | 212 | 4-3/4 | 121 | 5/8 | 16 | 61/64 | 24 | 3 | 76 | 5/8 | 4 | 17 | 8 |
| 2-1/2 | 65 | 4768S6 | 7 | 178 | 8-19/32 | 218 | 5-1/2 | 140 | 11/16 | 17 | 1-1/16 | 27 | 3 | 76 | 5/8 | 4 | 25 | 11 |
| 3 | 80 | 4769S6 | 7-1/2 | 191 | 9-9/64 | 232 | 6 | 152 | 3/4 | 19 | 1-1/16 | 27 | 3 | 76 | 5/8 | 4 | 31 | 14 |
| 4 | 100 | 4770S6 | 9 | 229 | 10-3/8 | 264 | 7-1/2 | 191 | 15/16 | 24 | 1-9/16 | 40 | 3 | 76 | 5/8 | 8 | 51 | 23 |

Flomatic Corporation can accept no responsibility for possible errors in catalogues, brochures and other printed material. Flomatic Corporation reserves the right to alter its products without notices. This also applies to product already agreed. All trademarks in this material are property of the respective companies. All rights reserved. ©2021 Flomatic Corporation. The drawings & information on this drawing sheet are the sole & exclusive property of Flomatic Corporation. Any reproduction, distribution, display or use of these drawings or information in whole or in part without written authorization of Flomatic Corporation is strictly prohibited. www.flomatic.com



March 9, 2015
Dwg No: S302S6-1 Rev: G (4/21)

FLOMATIC CORPORATION
GLENS FALLS, N.Y. 12801
PHONE (518) 761-9797
FAX (518) 761-9798