

Deep Well® Check Valve Model 80DW VFD



PRICE LIST

(April 21, 2019)



Heavy Duty Check Valves
Model 80DW

Standard Model 80MDW Check Valve

Discount Code: A

Male x Female Check Valve with 8 Round Thread with Break-off Plug (PLG)

Size	Part Number	List Price
2 3/8" 8rd EU Tubing	7937MDW8EUPLG	\$ 1,271.00
2 7/8" 8rd EU Tubing	7936MDW8EUPLG	\$ 1,500.00
3 1/2" 8rd EU Tubing	7938MDW8EUPLG	\$ 1,732.00
4 1/2" 8rd EU Tubing	7939MDW8EUPLG	\$ 2,541.00
4 1/2" 8rd Thread Casing *	79391MDW8SLPLG	\$ 2,541.00
5" 8rd Thread Casing *	79402MDW8SLPLG	\$ 2,541.00
5 1/2" 8rd Thread Casing *	4088MDW8SLPLG	\$ 4,851.00
6 5/8" 8rd Thread Casing *	4089MDW8SLPLG	\$ 6,006.00
7" 8rd Thread Casing *	40903MDW8SLPLG	\$ 8,085.00
7 5/8" 8rd Thread Casing *	4091MDW8SLPLG	\$ 9,817.00
8 5/8" 8rd Thread Casing *	4092MDW8SLPLG	\$ 11,550.00
9 5/8" 8rd Thread Casing *	4093MDW8SLPLG	\$ 13,860.00

* Note: Standard Short Male Inlet by Extra Long Female Outlet Threads

EU=External Upset Tubing Thread (The Valve threaded ends have thicker wall sections).

PLG= Break-off Plug (3/8" plug for 2 3/8", 2 7/8" & 3 1/2" and 3/4" plug for larger sizes)

How to Order Series 80DW Deep Well® Check Valves

Valve Description (Standard Valve Configuration)	Part Number/Valve Size	Body Styles (Options)	Thread Option	Break-off Plug
1	2	3	4	5
80DW-VFD (Female by Female Threads) or 80 MDW-VFD (Male by Female) - Epoxy coated carbon steel Check Valve body. Metal to metal seat with stainless steel spring and stem with API 8 Round Threads	7937=2-3/8"	MDW =Short- Male x Long-female threads (Standard) or DW = female x female threads	EU = 8 round External Upset Tubing Thread Sizes: 2 3/8" thru 4 1/2" or 8SL = 8 round Short-Male by Long Female Sizes: 4 1/2" thru 9 5/8"	Standard with "PLG" in part number for Break-Off Plug
	7936=2-7/8"			
	7938=3 1/2"			
	7939 = 4-1/2" (EU)			
	79391 = 4-1/2" (8SL)			
	7940 = 5"			
	4088 = 5-1/2"			
	4089 = 6-5/8"			
	40903 = 7"			
	4091 = 7-5/8"			
4092 = 8-5/8"				
4093 = 9-5/8"				
▶ EXAMPLE: Order Part Number for a 3 1/2" Male Inlet by Female outlet				
1	2	3	4	5
80MDW	7938	MDW	EU	PLG
▶ Result Order Number: 3 1/2" Valve Part Number based on above is 7938MDWEUPLG				

Note: For other Model 80DW Short/Long and Male /Female Threaded Valve Model please visit:

https://www.flomatic.com/assets/pdf_files/17018.pdf

Flomatic Corporation
15 Pruyin's Island Drive, Glens Falls, NY 12801
800-833-2040 www.flomatic.com
High Quality Valves Built to Last . . .



Submersible Pump Check Valve

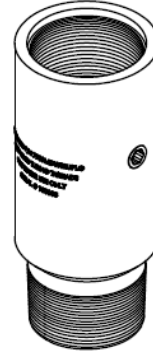
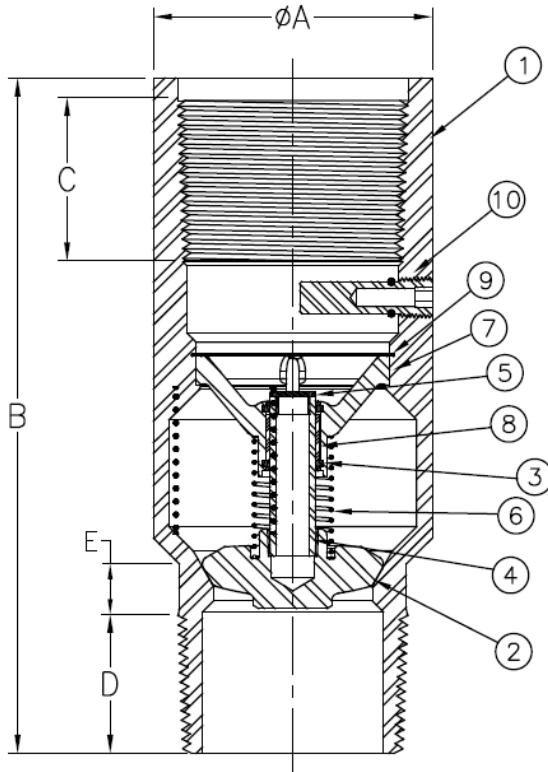
Model 80MDW-VFD **FLOMATIC®**

Sizes 2-3/8" THRU 9-5/8" / 60 mm THRU 245 mm
Deep Well®

Flomatic Corporation



Materials



Deep Well® Check Valve Model 80DW VFD

Max Temp 200°F (93°C)
Max Pressure 4400psi (303bar)

Item #	Qty	Description	Material	ASTM
1	1	Body (Epoxy Coated*)	Hot Rolled Steel	A519
2	1	Poppet	Hot Rolled Steel	A332
3	2	Wiper	Engineered Composite	-----
4	1	Stem	Stainless Steel	316
5	1	Stem Cap	Engineered Composite	-----
6	1	Spring	Stainless Steel	304
7	1	Stem Guide	Stainless Steel	316
8	1	Bushing	Engineered Composite	-----
9	1	Retaining Ring	Stainless Steel	302
10	1	Break-Off Plug	Stainless Steel	304

Epoxy Coating is NSF61 approved

Dimensions (M x F 8 Round Threads)

Thread Size		Thread	Part #	A		B		C		D		E		Weight	
inch	mm			inch	mm	inch	mm	inch	mm	inch	mm	inch	mm	lbs	kg
2-3/8	60	EU	7937MDW8EUPLG	3-9/64	80	9	229	2-3/32	53	1-15/16	49	3/4	19	7.8	3.5
2-7/8	73	EU	7936MDW8EUPLG	3-45/64	94	9-7/8	250	2-25/64	61	2-1/8	54	3/4	19	12.5	5.7
3-1/2	89	EU	7938MDW8EUPLG	4-39/64	117	11-5/32	283	2-41/64	67	2-3/8	60	3/4	19	19.5	8.9
4-1/2	114	EU	7939MDW8EUPLG	5-13/16	147	13-1/2	343	3-1/8	79	2-5/8	67	3/4	19	37	16.8
4-1/2	114	API	79391MDW8SLPLG	5	127	13-1/2	343	3	76	2-5/8	67	3/4	19	40	18
5	125	API	79402MDW8SLPLG	5-9/16	141	15-3/8	391	3-7/8	98	2-3/4	70	3/4	19	34	15
5-1/2	140	API	4088MDW8SLPLG	6	152	15-5/8	397	3-3/4	95	2-7/8	73	3/4	19	45	20
6-5/8	170	API	4089MDW8SLPLG	7-25/64	188	16-5/32	410	4-19/32	117	3-1/8	79	3/4	19	68	31
7	178	API	40903MDW8SLPLG	7-45/64	195	17-1/8	358	4	102	3-1/8	79	3/4	19	113	51
7-5/8	194	API	4091MDW8SLPLG	8-1/2	216	17-1/2	445	4-13/32	112	3-1/4	83	3/4	19	90	41
8-5/8	219	API	4092MDW8SLPLG	9-5/8	244	18-1/2	470	4-9/16	116	3	76	3/4	19	99	45
9-5/8	245	API	4093MDW8SLPLG	10-5/8	270	19-3/8	492	5-1/16	129	3-3/8	86	3/4	19	154	70

Flomatic Corporation can accept no responsibility for possible errors in catalogues, brochures and other printed material. Flomatic Corporation reserves the right to alter its products without notices. This also applies to product already agreed. All trademarks in this material are property of the respective companies. All right reserved. ©2011 Flomatic Corporation. The drawings & information on this drawing sheet are the sole & exclusive property of Flomatic Corporation. Any reproduction, distribution, display or use of these drawings or information in whole or in part without written authorization of Flomatic Corporation is strictly prohibited.