

Flomatic Pump Check Valve

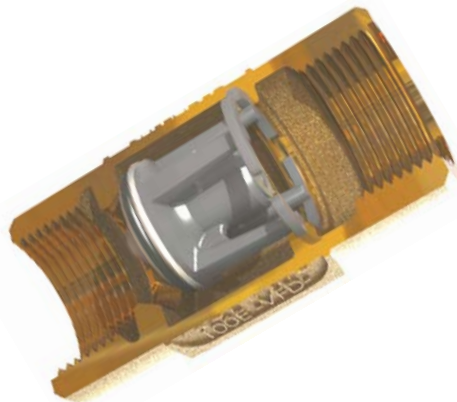
(Patented and Patent Pending)

Model 80E & 100E VFD

Complete Product range!

Delivers Longer Service Life

- Variable Flow Rates (VFD Controlled Pumps)
- Lower Friction Losses
- Quiet Operation
- Well Water Pump Systems
- Irrigation and Sprinkler Systems
- Both Vertical or Horizontal Installation
- Size range 1" thru 4"



Flomatic Check Valve
Model 100E VFD
(Patented and other Patent Pending)



**Industry First Energy
Efficient VFD Designed
Check Valve**
(Patented and other Patent Pending)

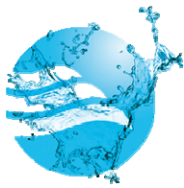
Materials

- **Valve body:** Lead Free Bronze
- **Valve Disc:** SS (Delrin optional)
- **Follower:** Composite and SS larger sizes
- **Elastomer Disc:** Buna Nitrile (FDA approved)
- **Spring:** 316 Stainless Steel

Lead Free

The Model 80E VFD and 100E VFD Check Valves conforms to the "California Lead Plumbing Law" or "Complies with California Lead Plumbing Law" and Vermont State certified to IAPMO R&T certification mark and the Uniform Plumbing Code.



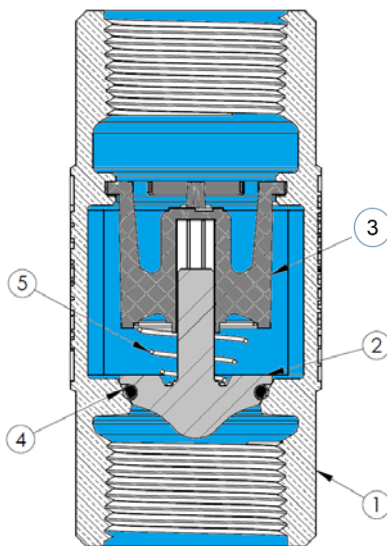


Flomatic Submersible Pump Check Valve Model 80E VFD and 100E VFD *(Patented and other Patents Pending)*



Valve Operation

Flomatic has 80 years' experience designing and manufacturing valve products. The new Model 80E & 100E VFD like, the Model 80DI/SS VFD is designed to minimize flow loss and hydraulic shocks in the pumping system. The standard unleaded bronze body or optional Stainless Steel or epoxy coated (NSF approved powder) ductile iron body is designed to support submersible pumps set deep in a well-water casing. Its unique hydraulic custom molded Buna-N rubber sealing surfaces are supported by a mechanical back-up support to maximize the check valve service life. The patented spring loaded poppet system is guided in a generous seat bore. The unique poppet system insures that the valve automatically closes tight and noiseless after each pump cycle. The tapered seat allows a self-cleaning "one point swiping action" by the radius-edged rubber seal during each valve closing cycle. All internal parts are made from corrosion resistant material.



Model 80E & 100E VFD			
(ENVIRO Un-Leaded, Female by Female)			
Size	Part Number	First ship date	List price
1"	4031EVFD	In Stock	\$ 56.12
1 1/4"	4032EVFD	In Stock	\$ 79.02
1 1/2"	4033EVFD	Nov-16	\$ 110.84
2"	4034EVFD	In Stock	\$ 176.58
2 1/2"	4035EVFD	In Stock	\$ 702.00
3"	4036EVFD	In Stock	\$ 846.00
4"	4037EVFD	In Stock	\$ 1,470.00

→ NOTE: Add "S" after E for stainless poppet and 10% to list price

Model 100E VFD			
(ENVIRO Un-Leaded, Female by Female)			
Size	Part Number	First ship date	List price
1"	4201EVFD	In Stock	\$ 53.28
1 1/4"	4202EVFD	In Stock	\$ 73.02

→ NOTE: Add "S" after E for stainless poppet and 10% to list price

Model 100ME VFD			
(ENVIRO, Male by Female)			
Size	Part Number	First ship date	List price
1" M x 1" F	4071EVFD	Dec-16	\$ 58.94
1 1/4" M x 1" F	4221EVFD	In Stock	\$ 55.67
1 1/4" M x 1 1/4" F	4242EVFD	Dec-16	\$ 70.37
1 1/2" M x 1 1/4" F	4223EVFD	In Stock	\$ 93.59

→ NOTE: Add "S" after E for stainless poppet and 10% to list price

Model 100 XLE VFD			
(Long Male and Female threads)			
Size	Part Number	First ship date	List price
1" M x 1" F	4201XLE VFD	In 2017	\$ 67.06
1 1/4" M x 1 1/4" F	4242XLE VFD	In 2017	\$ 86.34
1 1/2" M x 1 1/2" F	4223XLE VFD	In 2017	-
2" M x 2" F	4073XLE VFD	In 2017	-

→ NOTE: Add "S" after E for stainless poppet and 10% to list price

Item No.	Description	Material	ASTM
1	Body	Unleaded Bronze	C89833
2	Poppet	304 Stainless Steel	UNS S30400
3	Guide	Delrin 100	---
4	Seat O-Ring	Buna-N	---
5	Spring	302 Stainless Steel	A313

Product Specification

- Connection: 1" thru 4" NPT (Optional Thread types available)
- Max pressure: 400 PSI (27 bar) Max temperature: 180°F (80°C)

Product Warranty

- Flomatic standard 5 year standard valve product warranty applies. See condensed catalog and price list with detailed warranty information.

Additional Sizes, Models in Stainless Steel
will be available in 2016

Flomatic is a proud member of:



FLOMATIC VALVES
High Quality Valves Built to Last . . .

15 Prun's Island Drive, Glens Falls, New York 12801-4424
Phone: 1-800-833-2040 Fax: 518-791-9798

www.flomatic.com

