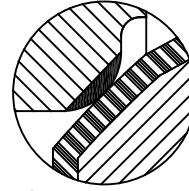
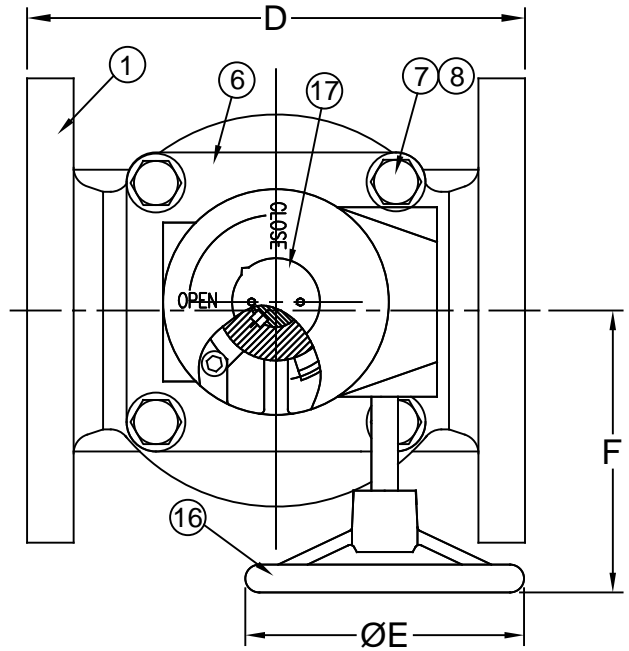
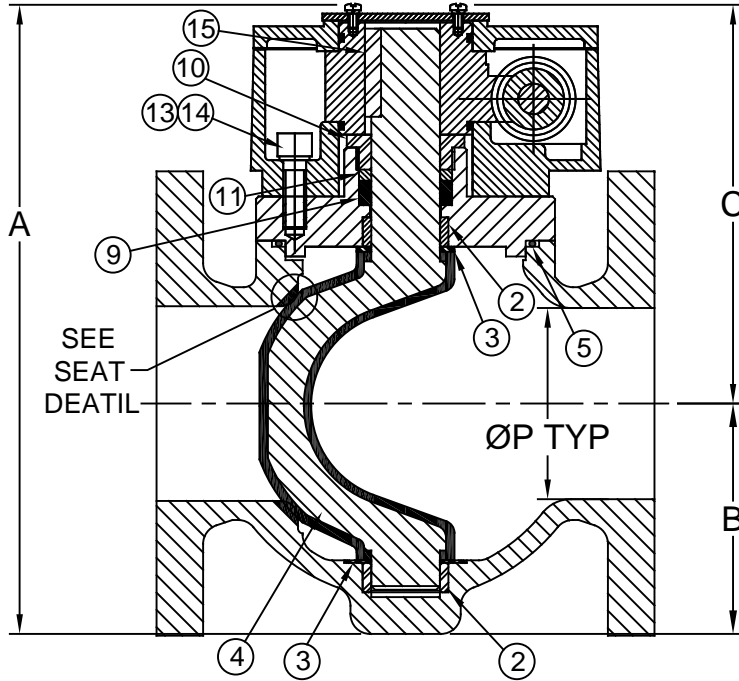


Sizes 3" thru 4" / 75mm thru 100mm  
Gear Box - Buried Service

**Materials**



SEAT DETAIL  
Ni WELDED SEAT



Max Temp 180°F (82°C)  
Max Pressure 200 psi (14 bar)

Item #	Qty	Description	Material	ASTM	Item #	Qty	Description	Material	ASTM
1	1	Body	Ductile Iron	A536 (65-45-12)	10	1	Bushing	Brass	B16
2	2	Bushing	Stainless Steel	316	11	1	Gland	Brass	B16
3	2	Washer	PTFE	-----	12	1	Gearbox	Ductile Iron	A536 (65-45-12)
4	1	Plug	Ductile Iron/NBR	A536 (65-45-12)	13	1	Bolt	Carbon Steel	1045, Cr Plated
5	1	O-Ring	EPDM	-----	14	1	Washer	Carbon Steel	1045, Cr Plated
6	1	Bonnet	Ductile Iron	A536 (65-45-12)	15	1	Key	Carbon Steel	B16
7	4	Bolt	Stainless Steel	304	16	1	Operating Nut	Cast Iron	A126 Class B
8	4	Washer	Stainless Steel	304	17	1	Position Indicator	Stainless Steel	18-8
9	5	V-Packing	NBR	-----					

**Dimensions (Mechanical Joint ANSI/AWWA C111/A21.11 flanges)**

Valve Size		Part #	A		B		C		D		ØE		F		ØP		Gearbox Ratio	Weight	
inch	mm		inch	mm	inch	mm	inch	mm	inch	mm	inch	mm	inch	mm	inch	mm		lbs	kg
3	75	5430000067	9.33	237	3.70	94	5.63	143	8.00	203	7.32	186	6.38	162	3.00	162	24:1	55	25
4	100	5430000077	10.50	267	4.29	109	6.22	158	9.00	229	7.32	186	6.38	162	4.00	162	24:1	88	40

MANUFACTURED IN COMPLIANCE WITH AWWA C517 STANDARD

Flomatic Corporation can accept no responsibility for possible errors in catalogues, brochures and other printed material. Flomatic Corporation reserves the right to alter its products without notices. This also applies to product already agreed. All trademarks in this material are property of the respective companies. All right reserved. ©2016 Flomatic Corporation. The drawings & information on this drawing sheet are the sole & exclusive property of Flomatic Corporation. Any reproduction, distribution, display or use of these drawings or information in whole or in part without written authorization of Flomatic Corporation is strictly prohibited.