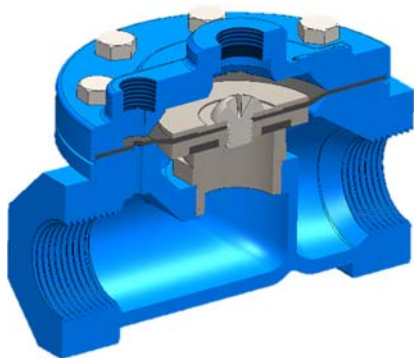
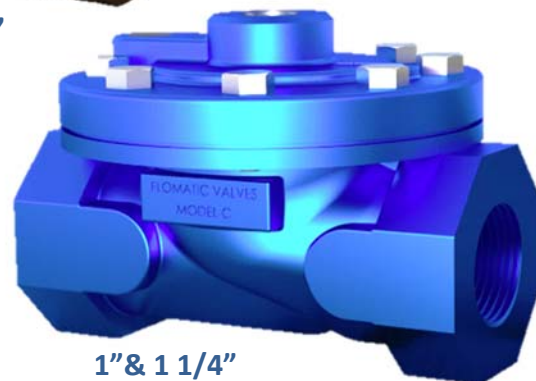


# Small Control Valves



## Flomatic® Automatic Control Valves Model C000

- Electric or Air Operated
- Many different Models
  - Solenoid
  - Pressure Reducing
  - Backpressure
  - Level Control
- OEM Application
- Domestic Water Systems
- Sizes 3/8" thru 1 1/4"
- NSF/ANSI 372 Certified
- 316 Stainless Steel Seat Trim



### Simple Proven Construction

- Valve body: Unleaded Bronze or Epoxy coated Ductile Iron
- Elastomer Disc: Buna N
- Unleaded (LF)
- Certified NSF 372

### Operation

The Flomatic® Model C000 Main Valve is a full-ported compact self-contained hydraulically operated, single diaphragm actuated globe style valve body. The valve has three major components: the body with a removable seat, the cover with bushing, and the diaphragm assembly. The diaphragm assembly is the only moving part. The cover forms a sealed chamber above the diaphragm to separate operating pressure from line pressure. Long service life and dependable operation are ensured due to pack-less construction. The valve is designed for use with various types of pressure and/or electric controls to provide the desired control of pressure or flow for a variety of water system applications. The Flomatic® Model C000 is the basic valve used for all Flomatic® full port automatic control valves.

Flomatic® Model C000 Flow Control valves will respond to signals generated by independent devices such as flow meters or temperature gauges. Control valves are normally fitted with actuators; electric, air or fluid. The Model C000 can also work with hydraulic actuators (also known as hydraulic pilots). The hydraulic actuators will respond to changes of pressure or flow and will open/close or modulate the valve.

### Control Valve Applications

- Water softeners
- Drinking fountains
- Water filters
- Irrigation systems
- Ground water heat pumps
- Water purifiers
- Dispensing machines



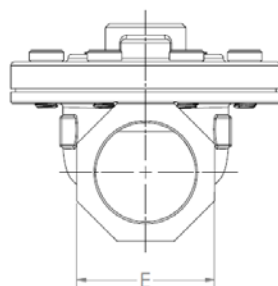
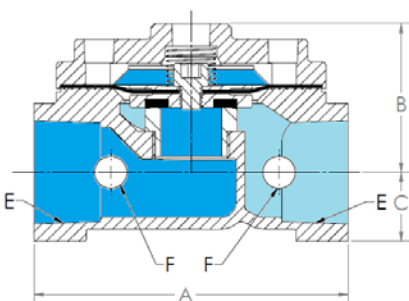
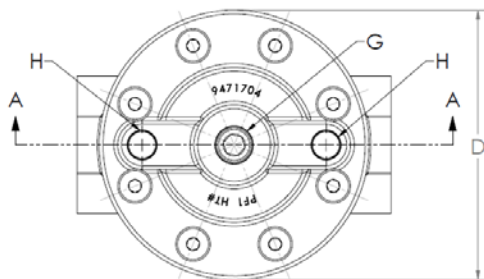
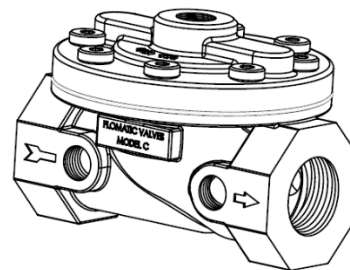
High Quality Valves Built to Last . . .

# Small Control Valves



## Construction

Flomatic® Model C000 Flow Control valves are constructed in Lead-Free Bronze valve bodies in the smaller 3/8", 1/2" and 3/4" sizes and in the larger sizes 1" and 1 1/4" sizes in epoxy coated ductile iron. All models incorporate 316 Stainless Steel seat trim. They are equipped with standard female NPT threaded connections and also 1/4" female side tapping for pilot controls or pressure gages etc. Flomatic also manufactures other types of Automatic Control Valves and in sizes up to 36".



## Dimensions

Size	Assembly Number	A	B	C	D	E (NPT)	F (NPT)	G (NPT)	H (NPT)
3/8"	8371697SM	2 7/8	1 9/16	3/4	2 1/2	3/8"	NA	1/4"	NA
1/2"	8371699SM	3 3/4	2 7/16	3/4	3 1/8	1/2"	1/8"	1/4"	1/4"
3/4"	8371600SM	3 3/4	2 7/16	3/4	3 1/8	1/2"	1/8"	1/4"	1/4"
1"	8471601SM	5 1/8	2 7/16	1 1/8	4 3/8	1"	1/4"	1/4"	1/4"
1-1/4"	8472602SM	5 1/8	2 7/16	1 1/8	4 3/8	1"	1/4"	1/4"	1/4"

## Parts List

Item #	Qty	Description	Material	ASTM	Item #	Qty	Description	Material	ASTM
1	1	Body w/Tag & Plug (NSF61 epoxy)	Ductile Iron	A-536	8	1	Stem (Bolt)	Stainless Steel	304
2	1	Cover (NSF61 epoxy)	Ductile Iron	A-536	10	1	Spring	Stainless Steel	302
3	8	Cover Bolt	Stainless Steel	304	13	1	Spool Seal (Seat Seal)*	EPDM*	-----
5	1	Diaphragm Plate	Stainless Steel	316	14	1	Seat Plate	Stainless Steel	316
6	1	Diaphragm*	EPDM/Nylon*	-----	15	1	Seat Ring	Stainless Steel	316

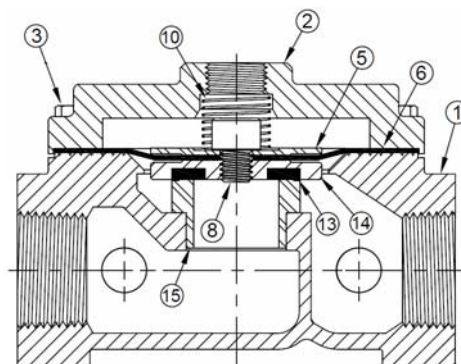
\*Note: Optional BUNA-N or VITON available

## Rating- Pressure & Temperature

- Maximum pressure is 400 psi (27.5 bar)
- Maximum temperature is 180°F (80°C)

## Installation

All Flomatic® Model C000 control valves are laser marked with size, model number pressure rating and arrow indicating direction of flow. Lead-Free sticker and manufacturing QC date code are also included. The valves are individually packaged with color-coded labels for easy identification. Installation instruction and O&M manual is included.



Size	Model C000 Part Number	Valve Body Material	Weight (Lbs)	Flomatic List	Discount Code: B
3/8"	C000AAA	Unleaded Bronze	2	\$ 193.64	
1/2"	C000AA	Unleaded Bronze	2	\$ 219.96	
3/4"	C000AA	Unleaded Bronze	3	\$ 234.06	
1"	C000A	Ductile Iron	5	\$ 239.70	
1 1/4"	C000B	Ductile Iron	5	\$ 258.50	

Flomatic® is the only valve manufacturer in the water and wastewater market that is manufacturing high quality valve products according to both ISO 9001 international quality management standards and the ISO 14000 environmental management standards.



High Quality Valves Built to Last . . .