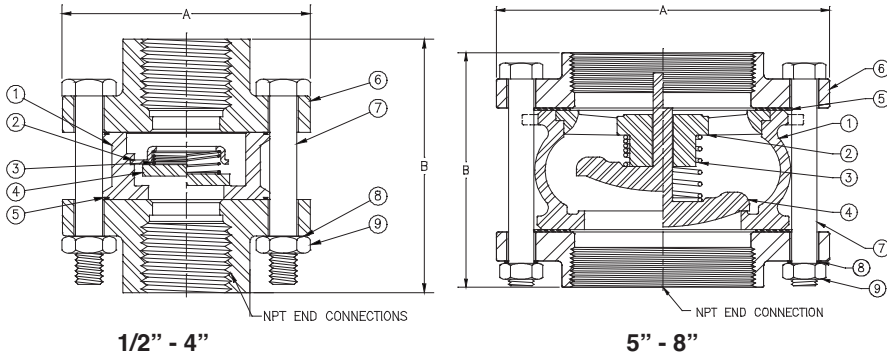


# STAINLESS STEEL CHECK VALVE Model 812XT



## Model 812XT: 1/2"-8"

Item #	Qty	Description	Material	ASTM
1	1	Body	Stainless Steel	316
2	1	Spring Retainer	Stainless Steel	316
3	1	Spring	Stainless Steel	316
4	1	Disc	Stainless Steel	316
5	2	Seal	PTFE or Vellumoid	-----
6	2	Flange	Stainless Steel	316
7	A/R	Hex Head Bolt	Stainless Steel	316
8	A/R	Washer	Stainless Steel	316
9	A/R	Hex Head Nut	Stainless Steel	316

### Operation:

The compact valve body design allows a flow area exceeding the pipe area to minimize flow losses and maximize efficiency. The unique spring loaded, stainless steel disc and guiding system insures quick closing of the valve which minimizes water hammer. Optional resilient sealing (Viton, Buna, EPDM).

### Installation:

The Flomatic model 812XT/XS all stainless steel valve is designed for simple flange supported installation and will operate well in any position. This valve has NPT threaded connections or optional socket end connections.

### Applications:

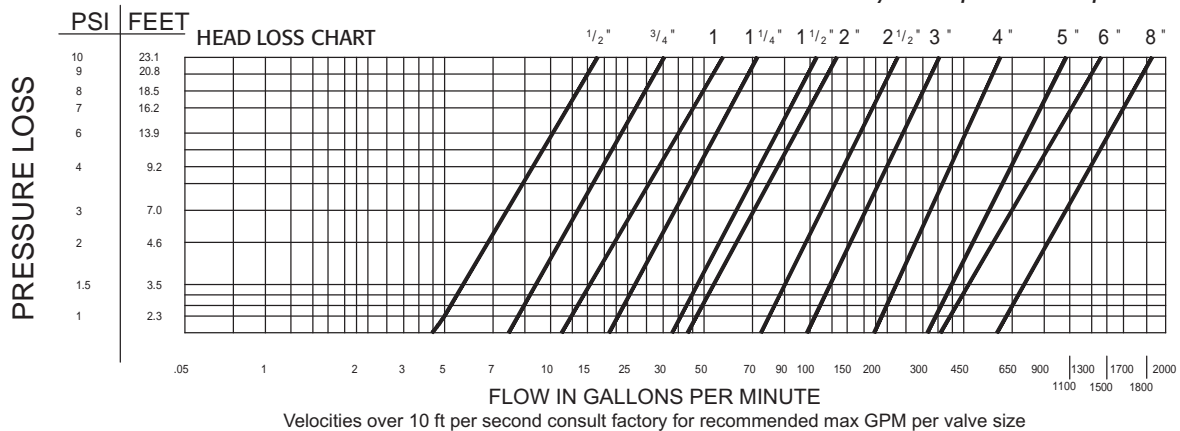
- Chemical-Petrochemical
- Pharmaceutical
- Booster Pump Systems
- Marine
- Industrial
- High temperature

### Benefits:

- All 316 stainless steel design
- Reliable closing system
- Ultra compact
- Minimizes water hammer
- Temp Max: 400°F
- Works in any position
- Low headloss
- Streamlined design
- Serviceability in line
- Pressure Max: 300 PSI

Valve Size	Part #	A	B	WGT.
1/2"	2420XT	2.07	2.72	.9
3/4"	2421XT	2.26	2.82	1.5
1"	2422XT	2.52	3.17	2.1
1 1/4"	2423XT	2.92	3.82	3.5
1 1/2"	2424XT	3.31	4	5.3
2"	2425XT	3.85	4.53	7.5
2 1/2"	2426XT	4.91	5.69	19
3"	2427XT	7.75	6.13	24
4"	2428XT	8.81	7.25	38
5"	2429XT	10	6.75	60
6"	2430XT	11	7.56	77
8"	2431XT	13.5	9.5	136

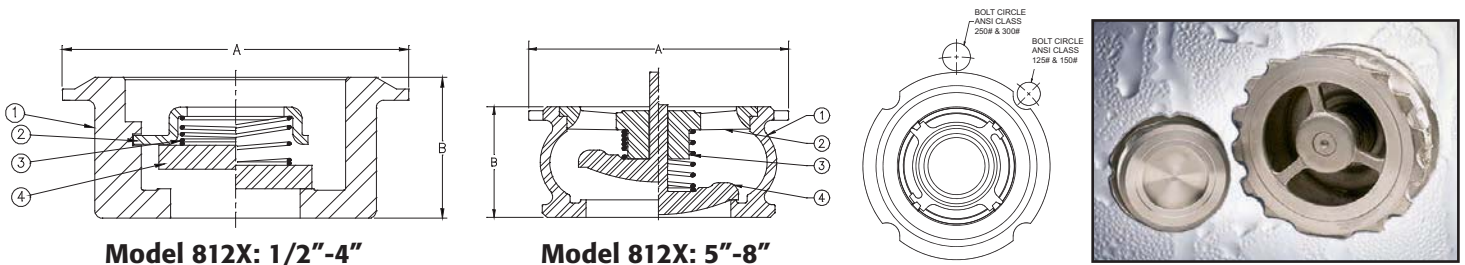
Consult factory for temperature and pressure rating chart.



# STAINLESS STEEL CHECK VALVE Model 812X

NSF/ANSI 61 CERTIFIED

NSF / ANSI 372



Model 812X: 1/2"-4"

Model 812X: 5"-8"

ITEM #	QTY.	DESCRIPTION	MATERIAL	ASTM
1	1	VALVE BODY	STAINLESS STEEL	316
2	1	SPRING RETAINER	STAINLESS STEEL	316
3	1	SPRING	STAINLESS STEEL	316
4	1	DISC	STAINLESS STEEL	316

## WEIGHTS & DIMENSIONS

Valve Size	ANSI Class	Part #	A	B	WGT.
1/2"		2420X	2.09	.63	.22
3/4"		2421X	2.48	.74	.31
1"		2422X	2.87	.87	.51
1 1/4"		2423X	3.31	1.10	.77
1 1/2"		2424X	3.70	1.26	1.15
2"	150/300	2425X	4.29	1.57	1.61
2 1/2"	150/300	2426X	5.08	1.81	3.35
3"	150/300	2427X	5.67	1.97	4.78
4"	150/300	2428X	6.69	2.36	7.39
5"	150/300	2429X	7.56	3.56	20
6"	150/300	2430X	8.59	4.19	32
8"	150	2431X	10.8	5.5	67
8"*	300	2432X	12	5.5	67

\*ANSI 300#

Note-300# Flange 600 PSI Max

### Operation

The compact valve body design allows a flow area exceeding the pipe area to minimize flow losses and maximize efficiency. The unique spring loaded, stainless steel disc and guiding system insures quick closing of the valve which minimizes water hammer.

### Installation

The model 812X, metal seated, all stainless steel valve is designed for simple flange-supported installation and will operate equally well in any position. Cracking pressure is extremely low. Metal seating standard, consult factory for resilient seat. Dual flange rating to fit between 150# and 300# flanges on 2"-6".

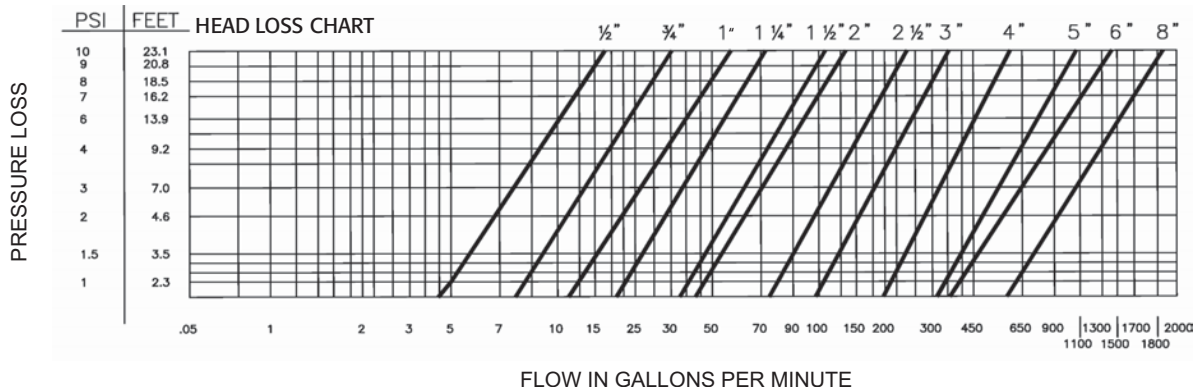
### Applications:

- Chemical-Petrochemical
- Pharmaceutical
- Booster Pump Systems
- Marine
- Industrial
- High temperature

### Benefits:

- All 316 stainless steel design
- Reliable closing system
- Ultra compact
- Streamlined design
- Temp Max: 660°F
- Works in any position
- Low headloss
- No internal screws or fasteners
- Minimizes water hammer
- Pressure Max: 600 PSI at 100° F

Consult factory for temperature and pressure rating chart.

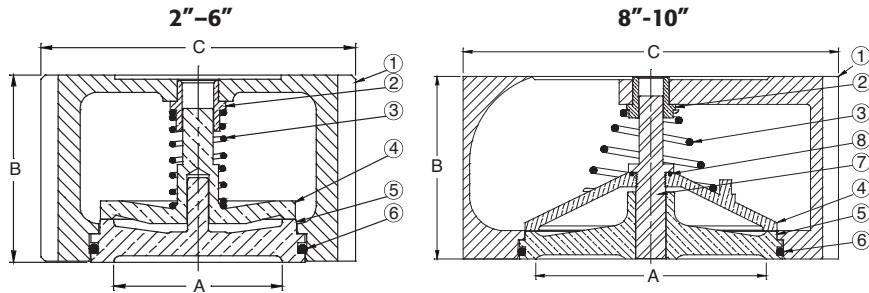


Velocities over 10 ft per second consult factory for recommended max GPM per valve size

# WAFER CHECK VALVE Model 888 & 888R / 888ST / 888S6

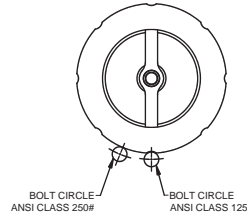
NSF/ANSI 61\* CERTIFIED FOR DRINKING WATER

NSF / ANSI 372



## Model 888: 2"-10"

Item #	Qty	Description	Material	ASTM
1	1	Body (Epoxy Coated)	Cast Iron	A126, Class B
2	1	Bushing	Unleaded Bronze	C95400
3	1	Spring	Stainless Steel	302
4	1	Poppet	Unleaded Bronze	C89833
5	1	Seat Ring	Unleaded Bronze	C89833
6	1	O-Ring	Buna-n	-----
7	1	Stem	Bronze	C89833
8	1	O-Ring	Buna-n	-----



Metal to Metal seating standard. Optional rubber seal available for drip tight seal, add "R" to end of part #, add "ST" to the end of the part # for stainless steel trim, add "V" for viton.

### CLASS 125/250

Valve Size	888 Part #	888ST Part #	888S6 Part #	A	B	C
2"	2434	2434ST	2434S6	2 13/32	2 5/8	4 1/4
2 1/2"	2432	2432ST	2432S6	2 9/16	2 7/8	5
3"	2435	2435ST	2435S6	3 1/4	3 1/8	5 3/4
4"	2436	2436ST	2436S6	4 3/8	4	7
5"	2433	2433ST	2433S6	5 1/4	4 3/4	8 3/8
6"	2437	2437ST	2437S6	5 29/32	5 1/2	9 3/4
8"	2438	2438ST	2438S6	8 7/32	6 1/2	13 3/8
8"***	2438-2	2438-2ST	2438-2S6	8 7/32	6 1/2	13 5/8
10"*	2439	2432ST	2439S6	10 7/64	8 1/4	16

\*250 only

\*\*125 only

### Installation:

The model 888 valve is designed for simple flange-supported installation and will operate equally well in any position. Suitable for dual flange ANSI 125 and 250 mounting, except for 8" and 10" sizes.

### Operation:

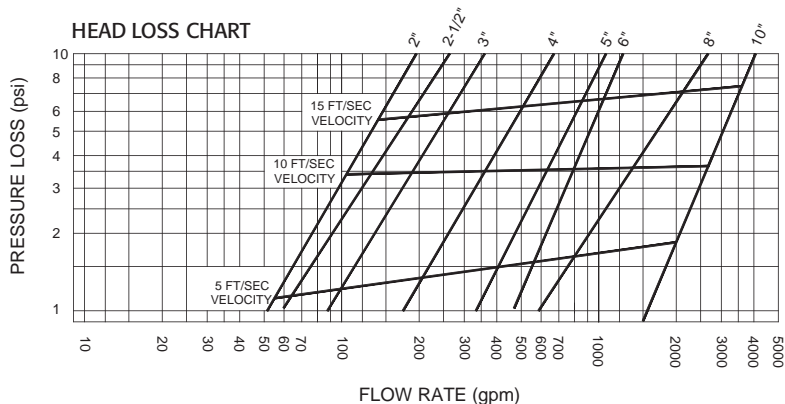
The convex inlet, double guided spring loaded poppet system maximizes efficiency and reduces water hammer. Easy field exchangeable internal system.

### Applications:

- Mechanical Contractors
- General Utilities
- Booster pump Systems
- HVAC -Liquid Service
- Irrigation

### Model 888:

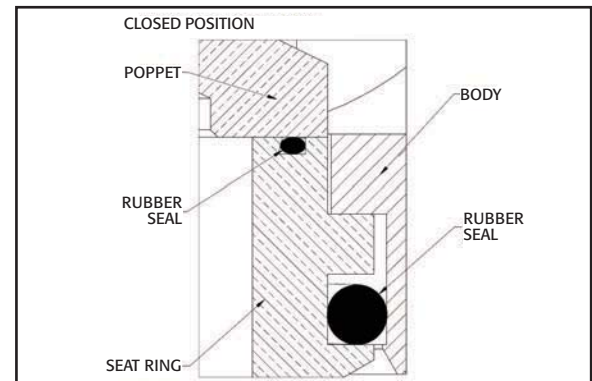
- Double guided unleaded bronze disc
- Streamlined design
- Epoxy coated internal and external
- Pressure Max: 200 PSI ANSI 125, 400 PSI ANSI 250
- Low headloss
- Minimizes water hammer
- Temp Max: 180°F



Velocities over 10 ft per second consult factory for recommended max GPM per valve size

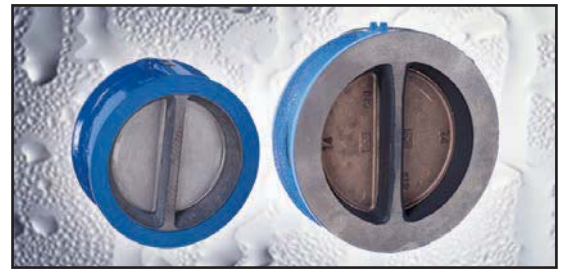
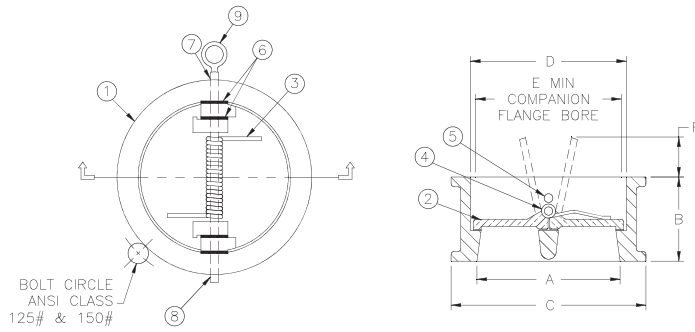
\* Not all model approved Consult factory for latest list

### Patent Design



# WAFER CHECK VALVE SPLIT DISC® Model 848 / 895

NSF/ANSI 372 (2"-12")



## MODEL 895 2"-12"

Item #	Qty.	Description	Material
1	1	Body (Epoxy Coated)	Cast Iron / EPDM
2	1	Disc (2 halves)	Stainless Steel
3	1	Torsion Spring	Stainless Steel
4	1	Disc Hinge Pin	Stainless Steel
5	1	Disc Stop Pin	Stainless Steel
6	4	Disc Bearing	PTFE
7	2	Hinge Pin Retainer	Steel
8	2	Stop Pin Retainer	Steel

## MODEL 848 14"-24"

Item #	Qty.	Description	Material
1	1	Body (Epoxy Coated)	Cast Iron / EPDM
2	1	Disc (2 halves)	Bronze
3	1	Torsion Spring	Stainless Steel
4	1	Disc Hinge Pin	Stainless Steel
5	1	Disc Stop Pin	Stainless Steel
6	4	Disc Bearing	PTFE
7	2	Hinge Pin Retainer	Steel
8	2	Stop Pin Retainer	Steel

### 895 WEIGHTS & DIMENSIONS

Valve Size	Part #	B	C	D	E	F	WGT.
2"	3000	2 1/8	4 1/4	2 3/8	2 1/8	n/a	3
2 1/2"	3001	2 1/8	5	2 7/8	2 1/2	5/64	4
3"	3002	2 1/4	5 11/16	3 1/2	3 9/64	1/2	7
4"	3003	2 1/2	6 1/2	4 1/2	3 3/32	55/64	9
5"	3004	2 3/4	7 5/8	5 9/16	5 5/32	1 3/8	13
6"	3005	3	8 11/16	6 5/8	6 3/16	1 27/32	18
8"	3006	3 3/4	10 7/8	8 5/8	7 61/64	2 21/64	31
10"	3007	4 1/4	13	10 3/4	10 5/32	3 5/64	49
12"	3008	5 5/8	15	12 3/4	12 3/64	3 7/32	75

### 848 WEIGHTS & DIMENSIONS

14"	2509	7 1/4	17 3/4	14	12 1/2	2 1/2	120
16"	2510	7 1/2	20 1/8	16 1/2	15	3 1/2	170
18"	2511	8	21 1/2	18 1/2	17	4 1/4	180
20"	2512	8 5/16	24 3/8	20 1/2	19	5 1/4	250
24"	2513	8 3/4	28 1/8	24 1/2	23	7 1/8	360

NOTE: 6" through 20" has one "Eyebolt" for lifting, 24" size has two.

### Operation:

Two independent discs, hinged on a common shaft are held parallel against an elastomer seat by torsional spring force.

### Installation:

Fromatic Split Disc® check valves are designed for simple flange-supported installations between standard flanges in the horizontal or in the vertical flow up position. For horizontal flow applications valve must be installed with disc hinge pin in the vertical position to insure proper operation.

### Applications:

- General Utilities
- Chemical
- Power Generation
- HVAC
- Marine
- Petrochemical
- Available for Air Service
- Mechanical Contractors
- Commercial Construction

### Benefits:

- Low headloss
- Compact
- Reliable
- Temp Max: 180°F
- Flow responsive closure
- Resilient seating
- PTFE Disc bearings
- Pressure Max: 200 PSI

