

# Auto-Vac Valve™

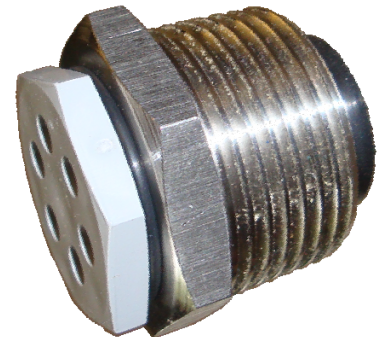
## Vacuum Relief Valve

**FLOMATIC® VALVES**

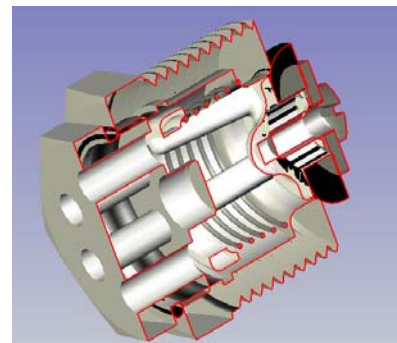
### Flomatic Auto-Vac Valve™ Vacuum Relief Valve Model 77

Automatically prevent vacuum in a water piping systems

- Reducing Water Hammer
- Allows Piping System to Drain
- Vacuum breaker for Water tanks systems
- Vacuum breaker for sewage systems
- Irrigation and sprinkler systems



Flomatic Auto-Vac Valve™  
Model 77 installed on a high point in a piping system



Cross-section view of Auto-Vac Valve™.  
A Simple and proven construction.

The **Auto-Vac Valve™** Automatic Vacuum Relief Valve, Model 77, is designed for use with sprinkler, agricultural watering, irrigation drainage and domestic water tank and conditioning systems where reliable, maintenance free performance is crucial. This valve will provide automatic vacuum relief and drainage of water lines.



*Flomatic Corporation*  
15 Pruyn's Island Drive, Glens Falls, New York 12801  
Phone: 518-761-9797 Fax: 518-791-9798

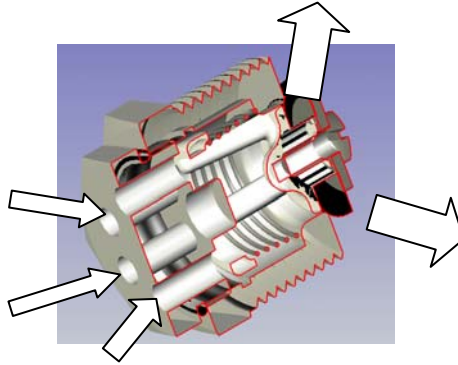
**FLOMATIC® VALVES**

# Flomatic Auto-Vac Valve™ Model 77

## Operation

The Flomatic Auto-Vac Valve™ vacuum relief valve Model 77 when properly installed in the highest point in a pipe system (or on top of a water tank) allows the piping system to drain when the system pressure is relieved. The spring loaded Auto-Vac Valve™ will automatically close when the piping system is fully drained. Once the pipe system is filled, the Auto-Vac Valve™ will close and remains closed until the pipeline is drained. The Auto-Vac Valve™ will then immediately open to allow air to re-enter the piping system and prevent a vacuum from forming and possible collapse of the pipeline or water tank.

Air will automatically enter the piping system when there is a vacuum. The spring loaded Auto-Vac Valve™ will automatically close when the piping system is fully drained.



Auto-Vac Valve™ shown in a typical installation on a high point on 1" pipe Tee.

## Other Application

When a main valve in a pipe is closed (check valve or other quick acting shut-off valves), the water in the pipeline downstream of the valve will attempt to continue flowing, and creating a vacuum that may cause water hammer in the pipe or to collapse or implode the piping. This problem can be particularly acute if the pipeline is very long or is on a downhill slope. To help limit the effects the Auto-Vac Valve™ vacuum relief valves can be used when sized properly to allow air to enter the line and prevent this vacuum from occurring.

## Product Options

Two different valve body materials are offered. The standard stainless steel body is available with optional PVC for corrosive-free service. All internal parts and material are the same for both models.

## Product Specification

Connection: 1" NPT Male Connection  
 Max pressure: 400 PSI (27 bar)  
 Max temperature: 180°F (80°C)  
 Normally spring loaded closed  
 Auto-Vac Valve™ opens at less than 1 psi



Stainless Steel  
Part #4701SS



PVC  
Part # 4701P

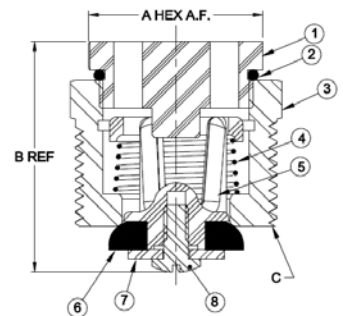
## Material of Construction

Stainless steel spring, fasteners and valve disc.  
 Acetal valve follower guide and Buna N rubber valve seal.

### Auto-Vac Valve™ Model 77

Part #	Material	Case Qty
4701P	PVC	12
4701SS	Stainless Steel	12

Item #	Qty	Description	Material	ASTM
1	1	Retaining Cover	PVC (grey)	—
2	1	O'Ring	Buna-n	—
3	1	Body	See Chart	—
4	1	Spring	Stainless Steel	302
5	1	Guide	Delrin	—
6	1	Disc	Buna-n	—
7	1	Washer	Stainless Steel	18-8
8	1	Screw	Stainless Steel	18-8



## Product Warranty

Flomatic standard product warranty for check and foot valves apply also to **Auto-Vac Valve™**



15 Pruyn's Island Drive, Glens Falls, New York 12801-4424  
 Phone: 1-800-833-2040 Fax: 518-791-9798  
[www.us.water.danfoss.com](http://www.us.water.danfoss.com) [www.flomatic.com](http://www.flomatic.com)

**FLOMATIC** VALVES