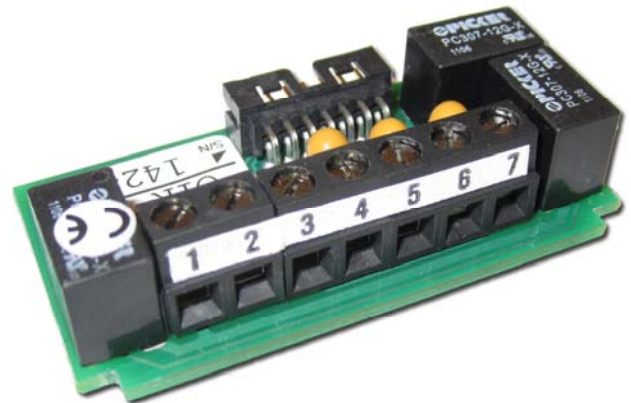


**Flomatic Smart Card™**  
**Model FOTR-100 (Signal Output Option Module)**  
**Specification & Connection**

The Flomatic FOTR-100 Option Module is specifically designed for use with the Flomatic FDHC Series Smart Cards. The module provides an output signal that can be scaled to any range from 0 to 20mA (for the current output) or from 0 to 10V (for the voltage output). The FOTR-100 also has three relay contact outputs that can be used to drive alarm devices or provide process limit switches.



When plugged into a Flomatic FDHC Smart Card (see below), the current or voltage output is easily calibrated to any desired current or voltage range. The FDHC Smart Card's Configuration & Operation manual describes the function and calibration of the output signal and relay contacts.

**SPECIFICATIONS**

**CURRENT OUTPUT**

0 to 20mA @ 8VDC or 400Ω maximum  
 Resolution: 0.0031mA

**VOLTAGE OUTPUT**

0 to 10VDC @ 10mA maximum  
 Resolution: 0.0016VDC

**RELAY OUTPUTS**

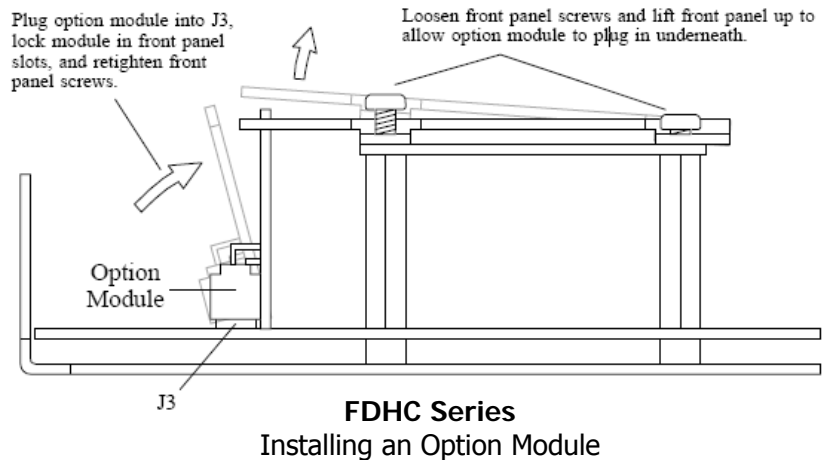
Switch Contact Type: SPST  
 Contact Rating (non-inductive):  
 1A @ 24VDC / 0.5A @ 125VAC

**ENVIRONMENTAL**


Operating Temperature: 0 to 60 °C  
 Storage Temperature: -40 to 85 °C  
 Relative Humidity: 0 to 90 % (non-condensing)

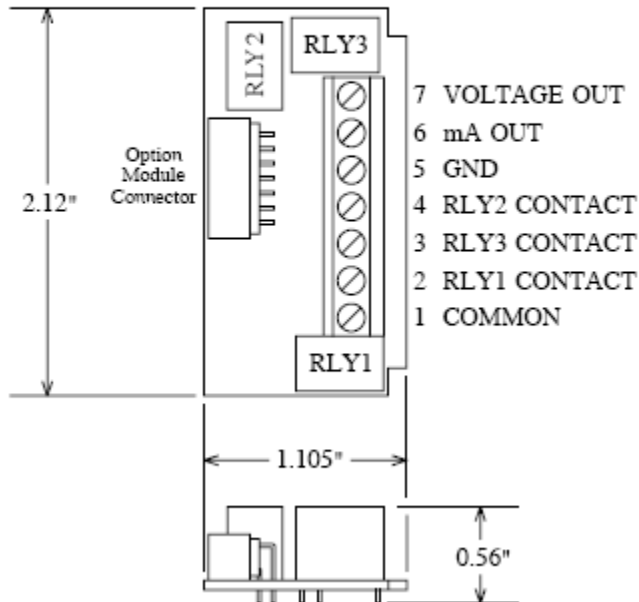
**CE CERTIFICATION**

EN55011 (Class A RF Emission)  
 EN61000-4-2, EN61000-4-3, EN61000-4-4  
 EN61000-4-5, EN61000-4-6, EN61000-4-11

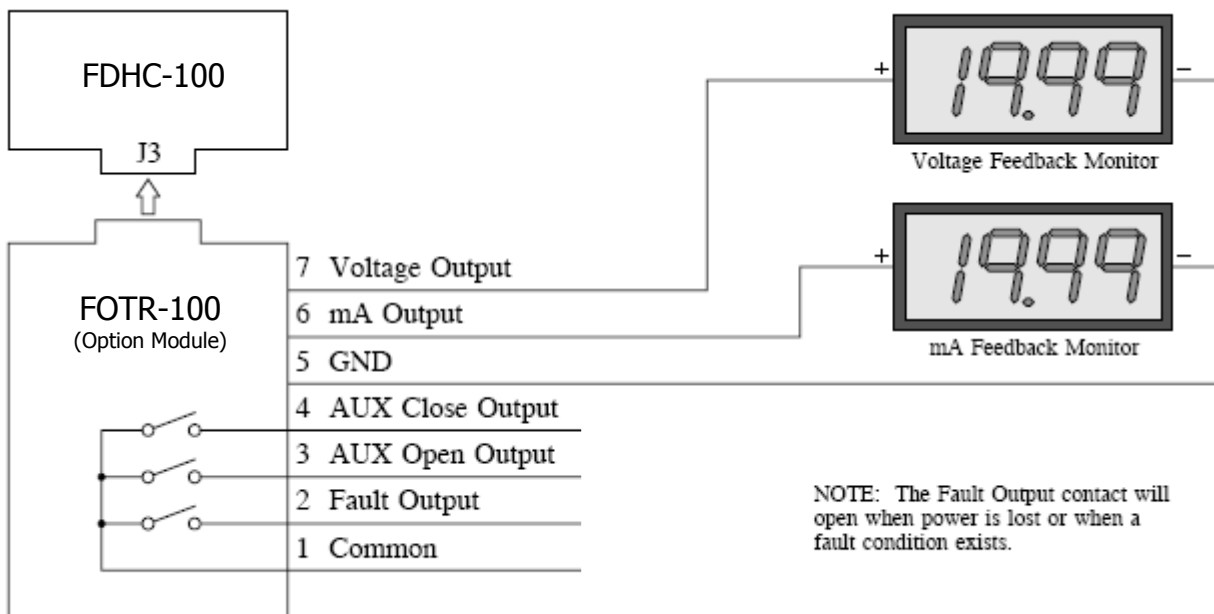


**Flomatic Smart Card™**  
**Model FOTR-100 (Signal Output Option Module)**  
**Specification & Connection**

FOTR-100 



**TYPICAL APPLICATION**



NOTE: The Fault Output contact will open when power is lost or when a fault condition exists.

